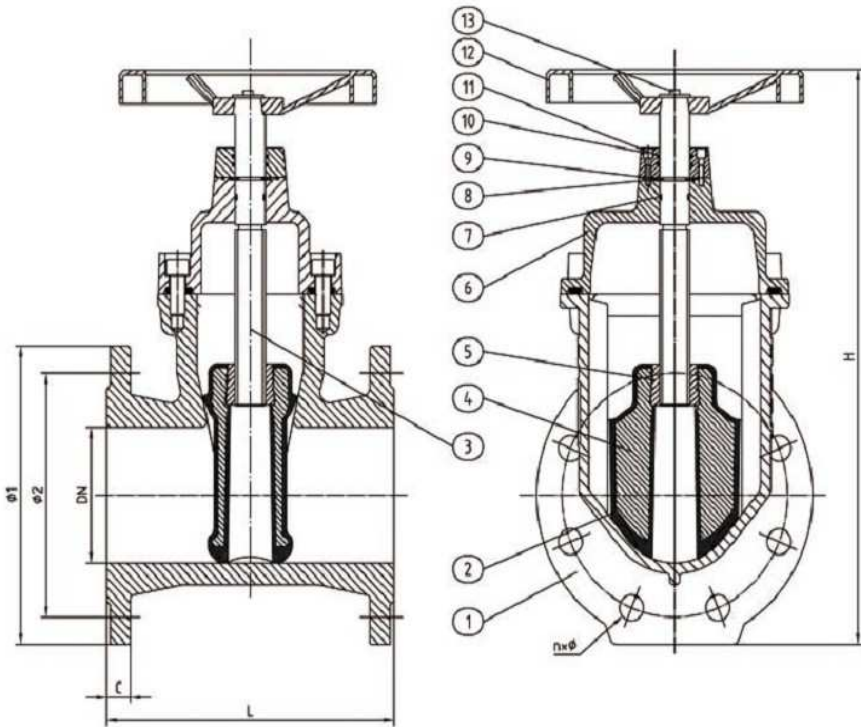


TFWG-1



NOMINAL PRESSURE	1.6	
SHELL TEST PRESSURE	2.4	MPa
SEAL TEST PRESSURE	1.76	

STANDARD MATERIALS OF MAIN PARTS

ITEM	PART NAME	MATERIAL
1	BODY	DUCTILE IRON
2	SEAT	EPDM
3	SHAFT	STAINLESS STEEL
4	DISC	DUCTILE IRON
5	WEDGE NUT	BRASS
6	BONNET	DUCTILE IRON
7	O RING	EPDM
8	WASHER	BRASS
9	SEALING RING	EPDM
10	SOCKET HEAD SCREW	CARBON STEEL
11	O RING	EPDM
12	HAND WHEEL	DUCTILE IRON
13	STEM NUT	STAINLESS STEEL

EN1092-2 PN16

SIZE	DN	L	H	Ø1	Ø2	n x Ø	C
DN50	Ø 50	178	300	165	125	4-19	18
DN65	Ø 65	190	345	185	145	4-19	18
DN80	Ø 80	203	390	200	160	8-19	18
DN100	Ø 100	229	430	220	180	8-19	19
DN125	Ø 125	254	530	250	210	8-19	19
DN150	Ø 150	267	565	285	240	8-23	19
DN200	Ø 200	292	680	340	295	12-23	22

Non-Rising Stem Gate Valve

Drawing	LJ.D	Check	XB.Z
---------	------	-------	------