

INDUSTRIAL METER CATALOG

version seven





TABLE OF CONTENTS

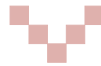
G Series Precision Meters	3	TM Series Water Meters	45
Build-Your-Own	4	TM Series Meter Number Reference	46
G Series Meter Number Reference	5	1/2" thru 2" Meters	47
Stainless Steel – GBT, GIT & GNT	6	3" and 4" Meters	48
Stainless Steel – GBP, GIP & GNP	7		
Stainless Steel – ANSI Flange Fitting	8		
Stainless Steel – Sanitary Clamp Standard Fitting (3A)	9	A1 Series Commercial Grade Meters	49
Stainless Steel – Sanitary Clamp Tri-Clover® Fitting	10	Build-Your-Own	50
Accessories	11	A1 Series Meter Number Reference	51
		Aluminum / Nylon	52
G2 Series Industrial Grade Meters	13	Modules	54
Build-Your-Own	14	Accessories	56
G2 Industrial Meter Number Reference	15		
Metal Meters:		Economy Electronic Digital Meters	57
Stainless Steel	16	LM Series Mechanical Lube Meters	58
Stainless Steel – High Pressure	17	01 Series Electronic Digital Meters	59
Stainless Steel – ANSI Flange Fitting	18	FM-300H/R Chemical Meters	60
Stainless Steel – Tri-Clover® Fitting	19		
Aluminum	20	Electronics Choices	61
Brass	21	Electronics Choices	62
Plastic Meters:		Local Display	63
PVDF	22	GG500/GG510/5 Series Transmitters	64
Modules	23	GX500/GX510/6 Series Transmitters	65
Accessories	27	GA500/GA510/7 Series Transmitters	66
		SC500/SC510/8 Series Scaled Pulse Module	67
		Displays & Output Instruments	68
GM Series Oval Gear Meters	29	GRT Controller	69
Build-Your-Own	30	GBT Series Deluxe Batch Controller	70
GM Series Oval Gear Meter Number Reference	31	GBM Series Mini Batcher	71
GM001	32		
GM002	33	Meter Application Guide	72
GM003	34		
GM005	35	Reference Materials	73
GM505	36	Liquid Viscosity Chart	74
GM006	37	Component Materials	74
GM007	38	Meter Dimensions	75
GM010	39	Y Strainers	79
GM510	40	Chemical Compatibility Chart	80
GM015	41	Approvals	82
GM515	42		
GM020	43		
GM520	44		



G SERIES PRECISION METERS

The High Precision Meter line is the most accurate of the GPI Turbine Meters and includes a traditional design. These meters come in a variety of sizes and fitting options including BSP, ISO, NPT and ANSI Flange fittings. The GSCPS in this section carries the 3A Sanitary Rating.



1) Select Your Turbine**Threaded Models****Sanitary Clamp Models****Flange Models****2) Select Your Sensor****Local Pickup Wire Lead****3) Select Your Electronic Choice**

For further details and selections see the Electronics Section.

Remote Models

GA500	R700-R
GG500	R800-R
GX500	SC500

Local Models

GA510	R700-L
GG510	R800-L
GX510	SC510

**4) Do You Want It Assembled?**

GPI will assemble the components you choose into a single unit, configured to your request.

Contact the factory for details on Custom System Assembly.

G SERIES METER NUMBER REFERENCE

USE THIS AS A GUIDE – SIZES VARY BY FITTING TYPE.
(Does not apply to model GSCPS - 3A Meters)

Product Identifier

G = G Series Precision Turbine Meter

Fitting Type

- N** = NPT (Male)
- I** = ISO Taper (Male)
- B** = BSP (Male)
- F** = Flanged
- SC** = Sanitary Clamp

Meter Dimensions listed on page 75.

Shaft / Sleeve Bearing / Thrust Bearing

- T-** = Tungsten Carbide / Tungsten Carbide
- P-** = Stainless Steel / PTFE / Stainless Steel

Turbine Size & Flowrate

- 050S** = 1/2 in. (0.6 - 6 GPM) Low Flow - Turbine Body Only♦
- 051S** = 1/2 in. (0.8 - 6 GPM) Standard - Uses Low Drag Standard Sensor 1
- 051H** = 1/2 in. (0.8 - 6 GPM) High Temp - Turbine Body Only♦
- 075S** = 3/4 in. (1.6 - 16 GPM) Standard - Uses Standard Sensor 2
- 075H** = 3/4 in. (1.6 - 16 GPM) High Temp - Turbine Body Only♦
- 075E** = 3/4 in. (2.32 - 23 GPM) Ext-Range - Uses Standard Sensor 2
- 75EH** = 3/4 in. (2.32 - 23 GPM) Ext-Range High Temp - Turbine Body Only♦
- 100S** = 1 in. (6.7 - 67 GPM) Standard - Uses Standard Sensor 2
- 100H** = 1 in. (6.7 - 67 GPM) High Temp - Turbine Body Only♦
- 150S** = 1-1/2 in. (17.7 - 177 GPM) Standard - Uses Standard Sensor 2
- 150H** = 1-1/2 in. (17.7 - 177 GPM) High Temp - Turbine Body Only♦
- 200S** = 2 in. (33 - 330 GPM) Standard - Uses Standard Sensor 2
- 200H** = 2 in. (33 - 330 GPM) High Temp - Turbine Body Only♦
- 300S** = 3 in. (60-600 GPM) Standard - Uses Standard Sensor 2

♦ Call GPI for Sensor & Electronics

Sensor Choice

- 1** = Low Drag Standard Sensor with 12 inch Lead Wires
- 2** = Standard Sensor with 12 inch Lead Wires
- X** = No Sensor - Turbine Body Only

Electronic Choice (Local)*

Turbine Mounted

- 5** = GG510 - Standard Display
- 6** = GX510 - 4-20 mA Transmitter with Display
- 7** = GA510 - 4-20 mA Transmitter
- 8** = SC510 - Scaled Pulse Output
- X** = No Electronics - Turbine Body Only

G + **I** + **T-** + **-075S** + **2** + **-6**

← (Sample Model Number)

* Electronic Choice not available on all models.

GBT, GIT & GNT PRECISION METERS

Model GNT NPT Fitting



GNT shown here
with Local Display



For complete part number,
see "Number Reference" chart on page 5.

ACCURACY: ± 0.5%

Select Your Meter Size:

1/2 inch	1 inch	2 inch
3/4 inch	1-1/2 inch	3 inch



For Your Special Application Needs:

Model GNT HT

For High Temperatures

(This model is not available in 3 inch)



Sensor Options:

- Low Drag Pickup (1/2 in. turbines)
- Standard Pickup (3/4 to 3 in. turbines)

Electronics Options:

- GG510 (Display with Pulse Output)
- GX510 (Display with 4-20 mA Output)
- GA510 (4-20 mA Output)
- SC510 (Scaled Pulse Output)

SPECIFICATIONS

Design Type:	Turbine		
Housing Material:	316 Stainless Steel		
Meter Sizes Available:			
For GNT: NPT Taper (Male)	1/2" 3/4" 1" 1-1/2" 2" 3"		
For GBT: BSPP * (Male)	1/2" 3/4" 1" 1-1/2" 2" 3"		
For GIT: ISO Taper (Male)	1/2" 3/4" 1" 1-1/2" 2" 3"		
For High Temperature*:	1/2" 3/4" 1" 1-1/2" 2" —		
Flow Range:	1/2" (051)	0.8 - 6.0 GPM (3.0 - 22 LPM)	
	3/4" (075)	1.6 - 16 GPM (6.0 - 60 LPM)	
	3/4" (075E)	2.3 - 23 GPM (8.7 - 87 LPM)	
	1" (100)	6.7 - 67 GPM (25.2 - 252 LPM)	
	1-1/2" (150)	17.7 - 177 GPM (67.0 - 670 LPM)	
	2" (200)	33 - 330 GPM (125.0 - 1250 LPM)	
	3" (300)	60 - 600 GPM (227.1 - 2271 LPM)	
Accuracy (Linearity):	± 0.5%		
Repeatability:	± 0.1%		
Pressure Rating:	1/2" to 2" = 5,000 PSI / 340 BAR 3" = 2,500 PSI / 170 BAR		
Operating Temperature Range:	-450° F to +800° F (-268° C to +426° C)		
Typical K-Factor:	1/2" (051)	10,000	
	3/4" (075)	3,750	
	3/4" (075E)	2,608	
	1" (100)	896	
	1-1/2" (150)	340	
	2" (200)	181	
	3" (300)	50	
Wetted Materials:			
Housing:	316 Stainless Steel		
Sleeve Bearings:	Tungsten Carbide		
Thrust Bearing:	Tungsten Carbide		
Shaft:	Tungsten Carbide		
Rotor:	CD4MCu Stainless Steel		
Rotor Supports:	316 Stainless Steel		
Recommended Strainer Size:			
	1/2"	40 mesh	
	3/4"	40 mesh	
	1"	40 mesh	
	1-1/2"	18 mesh	
	2"	14 mesh	
	3"	14 mesh	
Frequency Output:	1/2" (051)	125 - 1000 Hz	
	3/4" (075)	100 - 1000 Hz	
	3/4" (075E)	100 - 1000 Hz	
	1" (100)	100 - 1000 Hz	
	1-1/2" (150)	100 - 1000 Hz	
	2" (200)	100 - 1000 Hz	
	3" (300)	50 - 500 Hz	
Calibration Report	Comes standard with G Series meters. N.I.S.T. - Certification available.		

APPROVALS



- * Requires High Temp Pickup.
- * ISO 228-1 designation is G.

SPECIFICATIONS

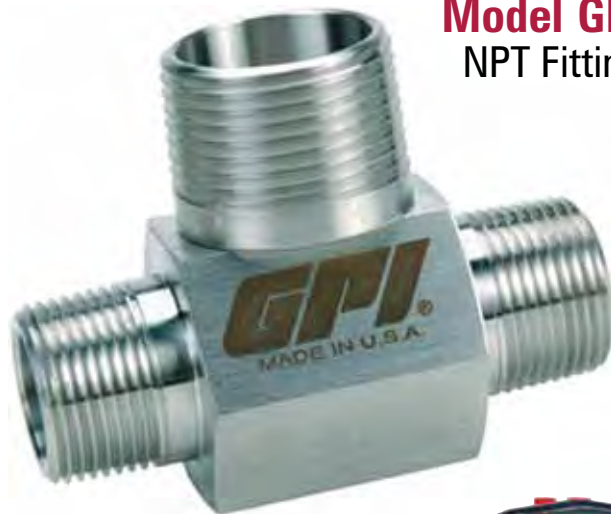
Design Type:	Turbine				
Housing Material:	316 Stainless Steel				
Meter Sizes Available:					
For GNP: NPT (Male)	1/2"	3/4"	1"	1-1/2"	2"
For GBP: BSPP* (Male)	1/2"	3/4"	1"	1-1/2"	2"
For GIP: ISO Taper (Male)	1/2"	3/4"	1"	1-1/2"	2"
Flow Range:	1/2" (050)*	0.6 - 6.0 GPM (2.2 - 22 LPM)			
	1/2" (051)	0.8 - 6.0 GPM (3.0 - 22 LPM)			
	3/4" (075)	1.6 - 16 GPM (6.0 - 60 LPM)			
	3/4" (075E)	2.3 - 23 GPM (8.7 - 87 LPM)			
	1" (100)	6.7 - 67 GPM (25.2 - 252 LPM)			
	1-1/2" (150)	17.7 - 177 GPM (67.0 - 670 LPM)			
	2" (200)	33 - 330 GPM (125.0 - 1250 LPM)			
Accuracy (Linearity):	± 0.5%				
Repeatability:	± 0.1%				
Pressure Rating:	1/2" to 2" = 5,000 PSI / 340 BAR				
Operating Temperature Range:	-450° F to +800° F (-268° C to +426° C)				
Typical K-Factor:	1/2" (050)*	10,000			
	1/2" (051)	10,000			
	3/4" (075)	3,750			
	3/4" (075E)	2,608			
	1" (100)	896			
	1-1/2" (150)	340			
	2" (200)	181			
Wetted Materials:					
Housing:	316 Stainless Steel				
Sleeve Bearings:	PTFE				
Thrust Bearing:	440C Stainless Steel				
Shaft:	316 Stainless Steel				
Rotor:	CD4MCu Stainless Steel				
Rotor Supports:	316 Stainless Steel				
Recommended Strainer Size:					
	1/2"	40 mesh			
	3/4"	40 mesh			
	1"	40 mesh			
	1-1/2"	18 mesh			
	2"	14 mesh			
Frequency Output:	1/2" (051)*	125 - 1000 Hz			
	3/4" (075)	100 - 1000 Hz			
	3/4" (075E)	100 - 1000 Hz			
	1" (100)	100 - 1000 Hz			
	1-1/2" (150)	100 - 1000 Hz			
	2" (200)	100 - 1000 Hz			
Calibration Report	Comes standard with G Series meters. N.I.S.T. – Certification available.				

APPROVALS



* 1/2 in. (050) requires RF Pickup.
* ISO 228-1 designation is G.

Model GNP NPT Fitting



GNP shown here
with Local Display

For complete part number,
see "Number Reference" chart on page 5.

ACCURACY: ± 0.5%

Select Your Meter Size:

1/2 inch	1 inch	2 inch
3/4 inch	1-1/2 inch	



Sensor Options:

- Low Drag Pickup (1/2 in. turbines)
- Standard Pickup (3/4 to 3 in. turbines)

Electronics Options:

- GG510 (Display with Pulse Output)
- GX510 (Display with 4-20 mA Output)
- GA510 (4-20 mA Output)
- SC510 (Scaled Pulse Output)

ANSI FLANGE PRECISION METERS

Model GFT 150# RF ANSI Flange Fitting



GFT shown here
with GX510



For complete part number,
see "Number Reference" chart on page 5.

ACCURACY: ± 0.5%

Select Your Meter Size:

3/4 inch	1-1/2 inch	3 inch
1 inch	2 inch	



For Your Special Application Needs:

Model GFP

For Chemicals

(These models not available in 3 inch)

Model GFT HT

For High Temperatures



Sensor:

- Standard Pickup (3/4 to 3 inch turbines)

Electronics Options:

- GG510 (Display with Pulse Output)
- GX510 (Display with 4-20 mA Output)
- GA510 (4-20 mA Output)
- SC510 (Scaled Pulse Output)

SPECIFICATIONS

Design Type:	Turbine				
Housing Material:	316 Stainless Steel				
Meter Sizes Available:					
For GFT:	3/4"	1"	1-1/2"	2"	3"
For GFP:	3/4"	1"	1-1/2"	2"	—
For High Temperature:	3/4"	1"	1-1/2"	2"	—
Flow Range:	3/4" (075)	1.6 - 16 GPM (6.0 - 60 LPM)			
	3/4" (075E)	2.3 - 23 GPM (8.7 - 87 LPM)			
	1" (100)	6.7 - 67 GPM (25.2 - 252 LPM)			
	1-1/2" (150)	17.7 - 177 GPM (67.0 - 670 LPM)			
	2" (200)	33 - 330 GPM (125.0 - 1250 LPM)			
	3" (300)	60 - 600 GPM (227.1 - 2271 LPM)			
Accuracy (Linearity):	± 0.5%				
Repeatability:	± 0.1%				
Pressure Rating:	Flange Rule				
Operating Temperature Range:					
For Tungsten Carbide:	-450° F to +800° F (-268° C to +426° C)				
For SS/PTFE:	-100° F to +185° F (-74° C to +85° C)				
Typical K-Factor:	3/4" (075)	3,750			
	3/4" (075E)	2,608			
	1" (100)	896			
	1-1/2" (150)	340			
	2" (200)	181			
	3" (300)	50			
Wetted Materials (GFT):					
Housing:	316 Stainless Steel				
Sleeve Bearings:	Tungsten Carbide				
Thrust Bearing:	Tungsten Carbide				
Shaft:	Tungsten Carbide				
Rotor:	CD4MCu Stainless Steel				
Rotor Supports:	316 Stainless Steel				
Wetted Materials (GFP):					
Housing:	316 Stainless Steel				
Sleeve Bearings:	PTFE				
Thrust Bearing:	440C Stainless Steel				
Shaft:	316 Stainless Steel				
Rotor:	CD4MCu Stainless Steel				
Rotor Supports:	316 Stainless Steel				
Recommended Strainer Size:					
	3/4"	40 mesh			
	1"	40 mesh			
	1-1/2"	18 mesh			
	2"	14 mesh			
	3"	14 mesh			
Frequency Output:	3/4" (075)	100 - 1000 Hz			
	3/4" (075E)	100 - 1000 Hz			
	1" (100)	100 - 1000 Hz			
	1-1/2" (150)	100 - 1000 Hz			
	2" (200)	100 - 1000 Hz			
	3" (300)	50 - 500 Hz			
Calibration Report	Comes standard with G Series meters. N.I.S.T. - Certification available.				

APPROVALS



* Requires High Temp Pickup.

SPECIFICATIONS

Design Type:	Turbine	
Housing Material:	316 Stainless Steel	
Meter Sizes Available (ID):	1" 1-1/2" 2"	
Meter ID:	1"	1-1/2" Fitting
	1-1/2"	1-1/2" Fitting
	2"	2" Fitting
Flow Range:	1" (100)	6.7 - 67 GPM (25.2 - 252 LPM)
	1-1/2" (150)	17.7 - 177 GPM (67.0 - 670 LPM)
	2" (200)	33 - 330 GPM (125.0 - 1250 LPM)
Accuracy (Linearity):	± 0.5%	
Repeatability:	± 0.1%	
Pressure Rating:	Limited by fitting size, clamp size & temp.	
Operating Temperature Range:		
For GSCPS:	-100° F to +225° F (-74° C to +107° C)	
SIP (up to 1 hour):	+285° F (+140° C)	
Typical K-Factor:	1" (100)	896
	1-1/2" (150)	340
	2" (200)	181
Wetted Materials (SIP):		
Housing:	316 Stainless Steel	
Sleeve Bearings:	PEEK	
Thrust Bearing:	PEEK	
Shaft:	316 Stainless Steel	
Rotor:	CD4MCu Stainless Steel	
Rotor Supports:	316 Stainless Steel	
Recommended Strainer Size:		
	1"	40 mesh
	1-1/2"	18 mesh
	2"	14 mesh
Frequency Output:	1" (100)	100 - 1000 Hz
	1-1/2" (150)	100 - 1000 Hz
	2" (200)	100 - 1000 Hz
Calibration Report	Comes standard with G Series meters. N.I.S.T. – Certification available.	

APPROVALS

GSCPS & "L" Option Meters carry a



Sanitary Rating.

Flowmeters for milk and milk products, Number 28-04.



This meter meets the strict 3-A Sanitary Standards using the new "Third Party Verification" (TPV) program. Our methods of design, construction and traceability of components have been reviewed and approved.

The internals of this meter are machined or polished to meet 3-A self-draining and cleaning requirements (Ra 32). The GSCPS Meter meets Clean in Place (CIP), Steam in Place (SIP) and Clean Out of Place (COP) requirements.

Model GSCPS Standard Sanitary Clamp



Model GSCPS Low Profile Sanitary Clamp



For complete part number,
see "Number Reference" chart on page 5.

ACCURACY: ± 0.5%

**GSCPS Stainless Steel
Precision Turbine Meter**



Select Your Meter Size:

- 1 inch Meter with 1-1/2 inch Fitting
- 1-1/2 inch Meter with 1-1/2 inch Fitting
- 2 inch Meter with 2 inch Fitting

Use this meter in pre-process applications where high accuracy is required without 3-A Approval.

Model GSCP Tri-Clover® Clamp



*GSCP shown here
with Local Display*



*For complete part number,
see "Number Reference" chart on page 5.*

ACCURACY: ± 0.5%

Select Your Meter Size:

- 1/2 inch Meter with 3/4 or 1 inch Fitting
- 3/4 inch Meter with 1-1/2 inch Fitting
- 1 inch Meter with 1-1/2 inch Fitting
- 1-1/2 inch Meter with 1-1/2 inch Fitting
- 2 inch Meter with 2 inch Fitting



Sensor Options:

- Low Drag Pickup (1/2 in. turbines)
- Standard Pickup (3/4 to 2 in. turbines)

Electronics Options:

- GG510 (Display with Pulse Output)
- GX510 (Display with 4-20 mA Output)
- GA510 (4-20 mA Output)
- SC510 (Scaled Pulse Output)

SPECIFICATIONS

Design Type:	Turbine				
Housing Material:	316 Stainless Steel				
Meter Sizes Available (ID):	1/2"	3/4"	1"	1-1/2"	2"
Meter ID:	1/2"	3/4" Fitting			
	1/2"	1" Fitting			
	3/4"	1-1/2" Fitting			
	1"	1-1/2" Fitting			
	1-1/2"	1-1/2" Fitting			
	2"	2" Fitting			
Flow Range:	1/2" (050) [†]	0.6 - 6 GPM	(2.2 - 22 LPM)		
	1/2" (051)	0.8 - 6 GPM	(3.0 - 22 LPM)		
	3/4" (075)	1.6 - 16 GPM	(6.0 - 60 LPM)		
	3/4" (075E)	2.3 - 23 GPM	(8.7 - 87 LPM)		
	1" (100)	6.7 - 67 GPM	(25.2 - 252 LPM)		
	1-1/2" (150)	17.7 - 177 GPM	(67.0 - 670 LPM)		
	2" (200)	33 - 330 GPM	(125.0 - 1250 LPM)		
Accuracy (Linearity):	± 0.5%				
Repeatability:	± 0.1%				
Pressure Rating:	Limited by fitting size, clamp size & temp.				
Operating Temperature Range:	-100° F to +185° F (-74° C to +85° C)				
Typical K-Factor:	1/2" (050) [†]	10,000			
	1/2" (051)	10,000			
	3/4" (075)	3,750			
	3/4" (075E)	2,608			
	1" (100)	896			
	1-1/2" (150)	340			
	2" (200)	181			
Wetted Materials:					
Housing:	316 Stainless Steel				
Sleeve Bearings:	PTFE				
Thrust Bearing:	440C Stainless Steel				
Shaft:	316 Stainless Steel				
Rotor:	CD4MCu Stainless Steel				
Rotor Supports:	316 Stainless Steel				
Recommended Strainer Size:					
	1/2"	40 mesh			
	3/4"	40 mesh			
	1"	40 mesh			
	1-1/2"	18 mesh			
	2"	14 mesh			
Frequency Output:	1/2" (050)	100 - 1000 Hz			
	1/2" (051)	125 - 1000 Hz			
	3/4" (075)	100 - 1000 Hz			
	3/4" (075E)	100 - 1000 Hz			
	1" (100)	100 - 1000 Hz			
	1-1/2" (150)	100 - 1000 Hz			
	2" (200)	100 - 1000 Hz			
Calibration Report	Comes standard with G Series meters. N.I.S.T. – Certification available.				

[†] GSCP-050 requires RF Pickup.

Magnetic Pickups

Standard



Wire Lead

When choosing a magnetic pickup, the turbine meter and electronics are generally already known. Electronics can be either Local or Remote. Remote electronics include GPI Remote Displays or output to customer supplied equipment. Follow these 3 steps when choosing a magnetic pickup then see the Specification Table for further details.



1
Select your size:
1/2 inch or
3/4 to 3 inch



2
Choose: Local or Remote/Output
Local uses a wire lead pickup.
Remote/Output requires a connector.



3
What's your signal type:
Sine Wave or Square Wave
Sine Wave - has no sensor power, can be used with battery powered displays.
Square Wave - sensor power is required.

1/2 INCH METER SIZES

Magnetic Pickups work with...

Description	Part Number	Sensor Power	Temperature Range	Cable Type	Connector Required	Cable Length	Thread Size	Local	Remote	Battery Pwr Display
Wire Lead Low Drag	81006001	None	-100° F - +250° F (-73° C - +121° C)	None	None	12 in.	5/8" - 18	X		Yes
Low Drag	81006000	None	-100° F - +250° F (-73° C - +121° C)	S	80001200	N/A	5/8" - 18		X	Yes
High Temp., Low Drag (10 ft. cable)	81007001	None	-450° F - +800° F (-268° C - +426° C)	None	None	10 ft.	5/8" - 18		X	Yes
* RF (required for GNP-050, GTP-050 & GSCP-050)	81005002	7-30 VDC	-40° F - +248° F (-29° C - +120° C)	D	80001202	N/A	5/8" - 18		X	No

3/4 TO 3 INCH METER SIZES

Wire Lead Standard	81003000	None	-100° F - +250° F (-73° C - +121° C)	None	None	12 in.	5/8" - 18	X		Yes
Standard	81001000	None	-100° F - +250° F (-73° C - +121° C)	S	80001200	N/A	5/8" - 18		X	Yes
Herm / High Temperature	81002000	None	-450° F - +258° F (-268° C - +125° C)	S	80001200	N/A	5/8" - 18		X	Yes
High Temperature, Standard	81007000	None	-450° F - +800° F (-268° C - +426° C)	None	None	3 ft.	5/8" - 18		X	Yes
* Digital (Di-Mag)	81004000	5-32 VDC	-40° F - +248° F (-29° C - +120° C)	D	80001202	N/A	5/8" - 18		X	No

* Externally powered pickups for pulse output only.

Pickup Enclosures



Pickup Enclosures are optional on G Series Meters. Choose from four pickup enclosures. Models N4A and N4S are weather-proof enclosures. For explosion-proof enclosures, choose N7A for the enclosure without terminal strip or the N7AT with terminal strip.

ENCLOSURES – PART NUMBERS

Description	Part Number
N4AWP - Weatherproof magnetic pickup steel enclosure	80001101
N4SWP - Weatherproof magnetic pickup 316 S.S. enclosure	80001105
N7AXP - Explosion-proof pickup enclosure (NEMA 7D)	80001100
N7ATXP - Explosion-proof pickup enclosure w/terminal strip (NEMA 7D)	80001102
Optional Spacer	42825524

Connectors



Connectors are included with cable assemblies from GPI. If you need replacement connectors, choose from the following:

CONNECTORS – PART NUMBERS

Description	Part Number
Standard mating connector (2 pin) used on Type S and T cable assemblies	80001200
Water resistant connector (2 pin) used on Type H cable assembly	80001201
Di-Mag connector (3 pin) used on Type D cable assembly	80001202

Cable Assemblies



GPI Cable Assemblies include the connector.

CABLE ASSEMBLY – PART NUMBERS

Type "S" Standard Cable (2 Conductor)		Type "H" Water Resistant (2 Conductor)	
Cable Length	Part No.	Cable Length	Part No.
8 inch	83001001	8 inch	83003001
5 feet	83001005	5 feet	83003005
10 feet	83001010	10 feet	83003010
15 feet	83001015	15 feet	83003015
20 feet	83001020	20 feet	83003020
25 feet	83001025	25 feet	83003025
30 feet	83001030	30 feet	83003030
40 feet	83001040	40 feet	83003040
50 feet	83001050	50 feet	83003050
75 feet	83001075	75 feet	83003075
100 feet	83001100		
125 feet	83001125		
Type "D" Di-Mag or RF (3 Conductor)		Type "T" High Temperature (2 Conductor)	
Cable Length	Part No.	Cable Length	Part No.
8 inch	83002001	8 inch	83004001
5 feet	83002005	5 feet	83004005
10 feet	83002010	10 feet	83004010
15 feet	83002015	15 feet	83004015
20 feet	83002020	20 feet	83004020
25 feet	83002025	25 feet	83004025
30 feet	83002030	30 feet	83004030
40 feet	83002040	40 feet	83004040
50 feet	83002050	50 feet	83004050
75 feet	83002075	75 feet	83004075

G2 SERIES INDUSTRIAL GRADE METERS

The unique modular approach of the Industrial Grade Meter line allows you to design a meter to match your specific application. Turbine choice depends on flowrate, line size, pressure rating, fitting type, chemical compatibility and temperature range. When choosing a G2 Series Meter, select from our wide variety of materials and sizes. These meters offer high accuracy at a lower cost, are compact and include a self-contained design. G2 Series Meters are field serviceable.



1) Select Your Turbine Material and Size

Turbine choice depends on flowrate, line size, pressure rating, fitting type, chemical compatibility and temperature range.



Stainless Steel



Aluminum
"Look for the blue label!"
(Shown with 09 Computer)



Brass
"Look for the blue label!"
(Shown with 09 Computer)



PVDF



2) Need A Computer?



"Look for the blue label!"
09 Computer



XX No Computer

Or Choose an Electronics
(For further details and selections see the Electronics Section.)



3) Add a Module?

For further details and selections see pages 23-26.



Standard Remote Kit



FM Approved Remote Kit



Conditioned Signal Output Module



FM Approved Sensor Kit



4-20 mA Module



Pulse Access Module



External Power Module
(Pulse Access Module Required)



4) Do You Require Any Accessories?

For further details and selections see pages 27-28.



Conduit Adapter Kit



90° Display Adapter Kit



510 Conversion Kit



Pulse Access Dust Cover



GPI Electronics Programmer

Product Identifier

G2 = Industrial Grade Meter

Turbine Material & Size

Metal Meters:

- S05** = Stainless Steel – 1/2 in.
- S07** = Stainless Steel – 3/4 in.
- S10** = Stainless Steel – 1 in.
- S15** = Stainless Steel – 1-1/2 in.
- S20** = Stainless Steel – 2 in.
- H05** = Stainless Steel High Pressure – 1/2 in.
- H07** = Stainless Steel High Pressure – 3/4 in.
- H10** = Stainless Steel High Pressure – 1 in.
- H15** = Stainless Steel High Pressure – 1-1/2 in.
- H20** = Stainless Steel High Pressure – 2 in.

- A05** = Aluminum – 1/2 in.
- A07** = Aluminum – 3/4 in.
- A10** = Aluminum – 1 in.
- A15** = Aluminum – 1-1/2 in.
- A20** = Aluminum – 2 in.
- B05** = Brass – 1/2 in.
- B07** = Brass – 3/4 in.
- B10** = Brass – 1 in.
- B15** = Brass – 1-1/2 in.
- B20** = Brass – 2 in.

Plastic Meters:

- P05** = PVDF – 1/2 in.
- P10** = PVDF – 1 in.

Meter Dimensions listed on page 75.

Fitting Type

- F** = 150# ANSI Flange - available on S10, S15 and S20 only
- I** = ISO (Female)
- N** = NPT (Female)
- T** = Tri-Clover® Fitting - available on S05 - S20 only
- X** = Electronics Only - for metal meters
- Z** = Electronics Only - for plastic meters

Electronic Choice

Turbine with Local Display

- 09** = 2 Button Computer, Field Configurable (2 Totals and Rate of Flow)
- 19** = Vertical Mount 2-Button Computer, Field Configurable (2 Totals and Rate of Flow)

Pulse Output (Remote)

- 41** = Remote Pulse Out Transmitter & Sine Wave Pickup (Standard Remote Sensor Option)
- 43** = Remote Pulse Out Transmitter & Turbine Mounted Computer (Pulse Out Sensor Option)

GG500 – Display with Pulse Output (Remote)

- 51** = Sine Wave Pickup (Standard Remote Sensor Option)
- 52** = Open Collector Pickup (Conditioned Signal Sensor Option)
- 53** = Turbine Mounted Computer (Pulse Access Sensor Option)

GX500 – Display with 4-20 mA Output (Remote)

- 61** = Sine Wave Pickup (Standard Remote Sensor Option)
- 62** = Open Collector Pickup (Conditioned Signal Sensor Option)
- 63** = Turbine Mounted Computer (Pulse Access Sensor Option)

GA500 – 4-20 mA Output (Remote)

- 71** = Sine Wave Pickup (Standard Remote Sensor Option)
- 72** = Open Collector Pickup (Conditioned Signal Sensor Option)
- 73** = Turbine Mounted Computer (Pulse Access Sensor Option)

No Electronics – Turbine Only

- XX** = No Electronics – Turbine Only

Calibration

- GM** = Gallons / Minute
- LM** = Litres / Minute
- XX** = No Computer

Packaging

- A** = Use for Turbine Only or Turbine w/Display (Sizes 05-10)
- B** = Use for Turbine Only or Turbine w/Display (Sizes 15-20)
- C** = Use for Turbine with Remote Transmitter With or Without Turbine Mounted Display (Sizes 05-20)
- D** = Use for 150# ANSI Flange Turbine Only (Size 10)
- E** = Use for 150# ANSI Flange Turbine Only (Sizes 15-20)
Use for 150# ANSI Flange Turbine with Remote Transmitter (Sizes 10, 15 or 20)

G2 + **S07** + **N** + **09** + **GM** + **A** ← (Sample Model Number)



"Look for the blue label!"

The GPI Stainless Steel Meter line has a proven track record in the industrial market. GPI Stainless Steel Meters are rugged and dependable. Use stainless steel meters for most chemicals: Ammonium, Plating Solutions and Fuel products.

For complete part number, see "Number Reference" chart on page 15.

Select Your Meter Size:

1/2 inch 3/4 inch 1 inch 1-1/2 inch 2 inch



Features and Benefits:

- ✓ Meter is designed for thin fluids < 100 cp.
- ✓ Modular design allows for use with Output Modules, Sensors and Remote Transmitters.
- ✓ 2 Totals (Batch = Resettable, Cumulative = Non-Resettable); Rate of Flow. Factory calibrated in gallons and litres. Field calibratable. Allows user calibration. Includes non-volatile totals.
- ✓ High accuracy meter.
- ✓ Internal parts are simple to replace for easy maintenance.
- ✓ Lithium battery life: 5 years.
- ✓ Accessories easily upgrade meter.

STAINLESS STEEL – SPECIFICATIONS

Fitting Type:	NPT or ISO (Female)		
Housing Material:	316 Stainless Steel		
Meter Sizes Available:	1/2" 3/4" 1" 1-1/2" 2"		
Flow Range:	1/2" (S05)	1 - 10 GPM (3.8 - 37.9 LPM)	
	3/4" (S07)	2 - 20 GPM (7.6 - 75.7 LPM)	
	1" (S10)	5 - 50 GPM (18.9 - 190 LPM)	
	1-1/2" (S15)	10 - 100 GPM (38.0 - 380 LPM)	
	2" (S20)	20 - 200 GPM (76 - 760 LPM)	
Accuracy (% of Reading):	Turbine Only	Turbine w/Computer	
	1/2" (S05)	± 2.0%	± 1.5%
	3/4" (S07)	± 1.5%	± 1.0%
	1" (S10)	± 1.5%	± 1.0%
	1-1/2" (S15)	± 1.0%	± 0.75%
	2" (S20)	± 1.0%	± 0.75%
Repeatability:	± 0.1%		
Pressure Rating:	1,500 PSI / 102 BAR		
Operating Temperature Range:	-40° F to +250° F (-40° C to +121° C)		
	with Computer:	0° F to +140° F (-18° C to +60° C)	
Typical K-Factor:	1/2" (S05)	2,500	
	3/4" (S07)	1,100	
	1" (S10)	565	
	1-1/2" (S15)	215	
	2" (S20)	100	
Wetted Materials:	Housing:	316 Stainless Steel	
	Bearings:	Ceramic	
	Shaft:	Tungsten Carbide	
	Rotor:	PVDF	
	Rings:	316 Stainless Steel	
Frequency Range:	1/2" (S05)	42 - 420 Hz @ 1 - 10 GPM	
	3/4" (S07)	37 - 370 Hz @ 2 - 20 GPM	
	1" (S10)	47 - 470 Hz @ 5 - 50 GPM	
	1-1/2" (S15)	36 - 360 Hz @ 10 - 100 GPM	
	2" (S20)	33 - 330 Hz @ 20 - 200 GPM	
Recommended Strainer Size:	1/2", 3/4" and 1"	55 mesh	
	1-1/2" and 2"	28 mesh	
Maximum Flow:	1/2" (S05)	15 GPM (56.8 LPM)	
	3/4" (S07)	30 GPM (113.6 LPM)	
	1" (S10)	75 GPM (284 LPM)	
	1-1/2" (S15)	150 GPM (568 LPM)	
	2" (S20)	300 GPM (1,136 LPM)	
Wrench Flat Size:	1/2" (S05)	1-1/16 inch (27 mm)	
	3/4" (S07)	1-5/16 inch (33 mm)	
	1" (S10)	1-5/8 inch (41 mm)	
	1-1/2" (S15)	2-3/8 inch (60 mm)	
	2" (S20)	3 inch (75 mm)	
Shipping Weight:	1/2" (S05)	2.3 lbs./1.0 kg - Turbine Only: 2.1 lbs./.95 kg	
	3/4" (S07)	2.5 lbs./1.1 kg - Turbine Only: 2.3 lbs./1.0 kg	
	1" (S10)	3.0 lbs./1.3 kg - Turbine Only: 2.8 lbs./1.2 kg	
	1-1/2" (S15)	4.6 lbs./2.1 kg - Turbine Only: 4.4 lbs./2.0 kg	
	2" (S20)	6.8 lbs./3.0 kg - Turbine Only: 6.6 lbs./3.0 kg	
Calibration Report	Comes standard with G2 Series meters. N.I.S.T. – Certification available.		

ELECTRONIC CHOICES

Local Display, Remote Display & Remote Transmitter Options: See Electronics Section.

APPROVALS



HIGH PRESSURE – SPECIFICATIONS

Fitting Type:	NPT or ISO (Female)		
Housing Material:	316 Stainless Steel		
Meter Sizes Available:	1/2"	3/4"	1" 1-1/2" 2"
Flow Range:	1/2" (H05)	1 - 10 GPM (3.8 - 37.9 LPM)	
	3/4" (H07)	2 - 20 GPM (7.6 - 75.7 LPM)	
	1" (H10)	5 - 50 GPM (18.9 - 190 LPM)	
	1-1/2" (H15)	10 - 100 GPM (38.0 - 380 LPM)	
	2" (H20)	20 - 200 GPM (76 - 760 LPM)	
Accuracy (% of Reading):	Turbine Only	Turbine w/Computer	
	1/2" (H05)	± 2.0%	± 1.5%
	3/4" (H07)	± 1.5%	± 1.0%
	1" (H10)	± 1.5%	± 1.0%
	1-1/2" (H15)	± 1.0%	± 0.75%
	2" (H20)	± 1.0%	± 0.75%
Repeatability:	± 0.1%		
Pressure Rating:	3,000 PSI / 207 BAR		
Operating Temperature Range:	-40° F to +250° F (-40° C to +121° C)		
with Computer:	0° F to +140° F (-18° C to +60° C)		
Typical K-Factor:	1/2" (H05)	2,500	
	3/4" (H07)	1,100	
	1" (H10)	565	
	1-1/2" (H15)	215	
	2" (H20)	100	
Wetted Materials:	Housing:	316 Stainless Steel	
	Bearings:	Ceramic	
	Shaft:	Tungsten Carbide	
	Rotor:	PVDF	
	Rings:	316 Stainless Steel	
Frequency Range:	1/2" (H05)	42 - 420 Hz @ 1 - 10 GPM	
	3/4" (H07)	37 - 370 Hz @ 2 - 20 GPM	
	1" (H10)	47 - 470 Hz @ 5 - 50 GPM	
	1-1/2" (H15)	36 - 360 Hz @ 10 - 100 GPM	
	2" (H20)	33 - 330 Hz @ 20 - 200 GPM	
Recommended Strainer Size:			
	1/2", 3/4" and 1"	55 mesh	
	1-1/2" and 2"	28 mesh	
Maximum Flow:	1/2" (H05)	15 GPM (56.8 LPM)	
	3/4" (H07)	30 GPM (113.6 LPM)	
	1" (H10)	75 GPM (284 LPM)	
	1-1/2" (H15)	150 GPM (568 LPM)	
	2" (H20)	300 GPM (1,136 LPM)	
Wrench Flat Size:	1/2" (H05)	1-1/16 inch (27 mm)	
	3/4" (H07)	1-5/16 inch (33 mm)	
	1" (H10)	1-5/8 inch (41 mm)	
	1-1/2" (H15)	2-3/8 inch (60 mm)	
	2" (H20)	3 inch (75 mm)	
Shipping Weight:	1/2" (H05)	2.3 lbs./1.0 kg - Turbine Only: 2.1 lbs./0.95 kg	
	3/4" (H07)	2.4 lbs./1.1 kg - Turbine Only: 2.2 lbs./1.0 kg	
	1" (H10)	3.0 lbs./1.3 kg - Turbine Only: 2.8 lbs./1.2 kg	
	1-1/2" (H15)	4.6 lbs./2.1 kg - Turbine Only: 4.4 lbs./2.0 kg	
	2" (H20)	6.8 lbs./3.0 kg - Turbine Only: 6.6 lbs./3.0 kg	
Calibration Report	Comes standard with G2 Series meters. N.I.S.T. – Certification available.		

ELECTRONIC CHOICES

Local Display, Remote Display & Remote Transmitter Options:	See Electronics Section.
--	--------------------------

APPROVALS



"Look for the blue label!"

This is the turbine meter of choice for high pressure applications like spray washers and hydraulic systems. PSIG for the GPI High Pressure Meter is 3,000 compared to 1,500 for the standard stainless steel meter. This proven meter can perform in all kinds of high pressure applications.

For complete part number, see "Number Reference" chart on page 15.

Select Your Meter Size:

1/2 inch 3/4 inch 1 inch 1-1/2 inch 2 inch



Features and Benefits:

- ✓ Meter is designed for thin fluids < 100 cp.
- ✓ Excellent chemical compatibility.
- ✓ Modular design allows for use with Output Modules, Sensors and Remote Transmitters.
- ✓ 2 Totals (Batch = Resettable, Cumulative = Non-Resettable); Rate of Flow. Factory calibrated in gallons and litres. Field calibratable. Allows user calibration. Includes non-volatile totals.
- ✓ Internal parts are simple to replace for easy maintenance.
- ✓ Lithium battery life: 5 years.



"Look for the blue label!"

Select stainless steel meters with 150# ANSI Flanges when you need a meter that installs in-line quickly. Flange Meters are easily installed and removed with four bolts. Combine with GPI's Computer Electronics for a complete, accurate, metering system.

For complete part number, see "Number Reference" chart on page 15.

Select Your Meter Size:

1 inch 1-1/2 inch 2 inch



Features and Benefits:

- ✓ Stainless steel meters have excellent chemical compatibility.
- ✓ Modular design allows for use with Output Modules, Sensors and Remote Transmitters.
- ✓ 2 Totals (Batch = Resettable, Cumulative = Non-Resettable); Rate of Flow. Factory calibrated in gallons and litres. Field calibratable. Allows user calibration. Includes non-volatile totals.
- ✓ Precision accuracy meter.
- ✓ Internal parts are simple to replace for easy maintenance.
- ✓ Lithium battery life: 5 years.
- ✓ Accessories easily upgrade meter.

ANSI FLANGE – SPECIFICATIONS

Fitting Type:	150# ANSI Flange	
Housing Material:	316 Stainless Steel	
Meter Sizes Available:	1" 1-1/2" 2"	
Flow Range:	1" (S10F)	5 - 50 GPM (18.9 - 190 LPM)
	1-1/2" (S15F)	10 - 100 GPM (38.0 - 380 LPM)
	2" (S20F)	20 - 200 GPM (76 - 760 LPM)
Accuracy (% of Reading):	Turbine Only	Turbine w/Computer
	1" (S10F)	± 1.5%
	1-1/2" (S15F)	± 1.0%
	2" (S20F)	± 1.0%
Repeatability:	± 0.1%	
Pressure Rating:	Flange Rule	
Operating Temperature Range:	-40° F to +250° F (-40° C to +121° C)	
with Computer:	0° F to +140° F (-18° C to +60° C)	
Typical K-Factor:	1" (S10F)	565
	1-1/2" (S15F)	215
	2" (S20F)	100
Wetted Materials:	Housing:	316 Stainless Steel
	Bearings:	Ceramic
	Shaft:	Tungsten Carbide
	Rotor:	PVDF
	Rings:	316 Stainless Steel
Frequency Range:	1" (S10F)	47 - 470 Hz @ 5 - 50 GPM
	1-1/2" (S15F)	36 - 360 Hz @ 10 - 100 GPM
	2" (S20F)	33 - 330 Hz @ 20 - 200 GPM
Recommended Strainer Size:	1" (S10F)	55 mesh
	1-1/2" (S15F)	28 mesh
	2" (S20F)	28 mesh
Maximum Flow:	1" (S10F)	75 GPM (284 LPM)
	1-1/2" (S15F)	150 GPM (568 LPM)
	2" (S20F)	300 GPM (1,136 LPM)
Shipping Weight:	1" (S10F)	7.2 lbs./3.3 kg - Turbine Only: 7.0 lbs./3.2 kg
	1-1/2" (S15F)	11.3 lbs./5.1 kg - Turbine Only: 11.1 lbs./5.0 kg
	2" (S20F)	18.6 lbs./8.4 kg - Turbine Only: 18.4 lbs./8.3 kg
Calibration Report	Comes standard with G2 Series meters. N.I.S.T. – Certification available.	

ELECTRONIC CHOICES

Local Display, Remote Display & Remote Transmitter Options:	See Electronics Section.
--	--------------------------

APPROVALS



TRI-CLOVER® – SPECIFICATIONS

Fitting Type:	Tri-Clover®	
Housing Material:	316 Stainless Steel	
Meter Sizes Available:	1/2" 3/4" 1" 1-1/2" 2"	
Tri-Clover® Fittings Available:	3/4" 1" 1-1/2" 2" 2-1/2"	
Flow Range:	1/2" (S05T)	1 - 10 GPM (3.8 - 37.9 LPM)
	3/4" (S07T)	2 - 20 GPM (7.6 - 75.7 LPM)
	1" (S10T)	5 - 50 GPM (18.9 - 190 LPM)
	1-1/2" (S15T)	10 - 100 GPM (38.0 - 380 LPM)
	2" (S20T)	20 - 200 GPM (76 - 760 LPM)
Accuracy (% of Reading):	Turbine Only	Turbine w/Computer
	1/2" (S05T)	± 2.0%
	3/4" (S07T)	± 1.5%
	1" (S10T)	± 1.0%
	1-1/2" (S15T)	± 1.0%
	2" (S20T)	± 0.75%
Repeatability:	± 0.1%	
Pressure Rating:	Limited by fitting size, clamp size & temp.	
Operating Temperature Range:	-40° F to +250° F (-40° C to +121° C)	
with Computer:	0° F to +140° F (-18° C to +60° C)	
Typical K-Factor:	1/2" (S05T)	2,500
	3/4" (S07T)	1,100
	1" (S10T)	565
	1-1/2" (S15T)	215
	2" (S20T)	100
Wetted Materials:	Housing:	316 Stainless Steel
	Bearings:	Ceramic
	Shaft:	Tungsten Carbide
	Rotor:	PVDF
	Rings:	316 Stainless Steel
Frequency Range:	1/2" (S05T)	42 - 420 Hz @ 1 - 10 GPM
	3/4" (S07)	37 - 370 Hz @ 2 - 20 GPM
	1" (S10T)	47 - 470 Hz @ 5 - 50 GPM
	1-1/2" (S15T)	36 - 360 Hz @ 10 - 100 GPM
	2" (S20T)	33 - 330 Hz @ 20 - 200 GPM
Recommended Strainer Size:		
	1/2" (S05T)	55 mesh
	3/4" (S07T)	55 mesh
	1" (S10T)	55 mesh
	1-1/2" (S15T)	28 mesh
	2" (S20T)	28 mesh
Maximum Flow:	1/2" (S05T)	15 GPM (56.8 LPM)
	3/4" (S07T)	30 GPM (113.6 LPM)
	1" (S10T)	75 GPM (284 LPM)
	1-1/2" (S15T)	150 GPM (568 LPM)
	2" (S20T)	300 GPM (1,136 LPM)
Shipping Weight:	1/2" (S05T)	2.5 lbs./1.0 kg - Turbine Only: 2.3 lbs./1.0 kg
	3/4" (S07T)	2.9 lbs./1.3 kg - Turbine Only: 2.7 lbs./1.2 kg
	1" (S10T)	3.2 lbs./1.4 kg - Turbine Only: 3.0 lbs./1.3 kg
	1-1/2" (S15T)	4.7 lbs./2.1 kg - Turbine Only: 4.5 lbs./2.0 kg
	2" (S20T)	6.5 lbs./2.9 kg - Turbine Only: 6.3 lbs./2.8 kg
Calibration Report	Comes standard with G2 Series meters. N.I.S.T. – Certification available.	

ELECTRONIC CHOICES

Local Display, Remote Display & Remote Transmitter Options: See Electronics Section.

APPROVALS



ATEX

IP44



"Look for the blue label!"

The GPI Stainless Steel Meters with Tri-Clover® fittings can be used with food and beverage industries in preprocess applications. Built of stainless steel construction, these meters come in five sizes to fit most every application.

For complete part number, see "Number Reference" chart on page 15.

Select Your Meter Size:

- 1/2 inch Meter with 3/4 inch Fitting
- 3/4 inch Meter with 1 inch Fitting
- 1 inch Meter with 1-1/2 inch Fitting
- 1-1/2 inch Meter with 2 inch Fitting
- 2 inch Meter with 2-1/2 inch Fitting



Features and Benefits:

- ✓ Stainless steel meter with Tri-Clover® fittings.
- ✓ Modular design allows for use with Output Modules, Sensors and Remote Transmitters.
- ✓ 2 Totals (Batch = Resettable, Cumulative = Non-Resettable); Rate of Flow. Factory calibrated in gallons and litres. Field calibratable. Allows user calibration. Includes non-volatile totals.
- ✓ Internal parts are easy to replace.
- ✓ Lithium battery life: 5 years.
- ✓ Accessories easily upgrade meter.



"Look for the blue label!"

GPI offers a full line of Industrial Meters in a variety of housing materials. Aluminum meters are best suited for petroleum based products. The modular design allows for maximum flexibility in meeting custom applications. Models are available with ISO or NPT fittings.

For complete part number, see "Number Reference" chart on page 15.

Select Your Meter Size:

1/2 inch 3/4 inch 1 inch 1-1/2 inch 2 inch



Features and Benefits:

- ✓ Meter is designed for thin fluids < 100 cp.
- ✓ Modular design allows for use with Output Modules, Sensors and Remote Transmitters.
- ✓ 2 Totals (Batch = Resettable, Cumulative = Non-Resettable); Rate of Flow. Factory calibrated in gallons and litres. Field calibratable. Allows user calibration. Includes non-volatile totals.
- ✓ Internal parts are simple to replace for easy maintenance.
- ✓ Lightweight, compact design allows for easy installation.
- ✓ Lithium battery life: 5 years.

ALUMINUM – SPECIFICATIONS

Fitting Type:	NPT or ISO (Female)	
Housing Material:	Aluminum	
Meter Sizes Available:	1/2" 3/4" 1" 1-1/2" 2"	
Flow Range:	1/2" (A05)	1 - 10 GPM (3.8 - 37.9 LPM)
	3/4" (A07)	2 - 20 GPM (7.6 - 75.7 LPM)
	1" (A10)	5 - 50 GPM (18.9 - 190 LPM)
	1-1/2" (A15)	10 - 100 GPM (38.0 - 380 LPM)
	2" (A20)	20 - 200 GPM (76 - 760 LPM)
Accuracy (% of Reading):	Turbine Only	Turbine w/Computer
	1/2" (A05)	± 2.0%
	3/4" (A07)	± 1.5%
	1" (A10)	± 1.5%
	1-1/2" (A15)	± 1.0%
	2" (A20)	± 1.0%
Repeatability:	± 0.1%	
Pressure Rating:	300 PSI / 21 BAR	
Operating Temperature Range:	-40° F to +250° F (-40° C to +121° C)	
with Computer:	0° F to +140° F (-18° C to +60° C)	
Typical K-Factor:	1/2" (A05)	2,500
	3/4" (A07)	1,100
	1" (A10)	565
	1-1/2" (A15)	215
	2" (A20)	100
Wetted Materials:	Housing:	Aluminum
	Bearings:	Ceramic
	Shaft:	Tungsten Carbide
	Rotor:	PVDF
	Rings:	316 Stainless Steel
Frequency Range:	1/2" (A05)	42 - 420 Hz @ 1 - 10 GPM
	3/4" (A07)	37 - 370 Hz @ 2 - 20 GPM
	1" (A10)	47 - 470 Hz @ 5 - 50 GPM
	1-1/2" (A15)	36 - 360 Hz @ 10 - 100 GPM
	2" (A20)	33 - 330 Hz @ 20 - 200 GPM
Recommended Strainer Size:	1/2", 3/4" and 1"	55 mesh
	1-1/2" and 2"	28 mesh
Maximum Flow:	1/2" (A05)	15 GPM (56.8 LPM)
	3/4" (A07)	30 GPM (113.6 LPM)
	1" (A10)	75 GPM (284 LPM)
	1-1/2" (A15)	150 GPM (568 LPM)
	2" (A20)	300 GPM (1,136 LPM)
Wrench Flat Size:	1/2" (A05)	1-1/16 inch (27 mm)
	3/4" (A07)	1-5/16 inch (33 mm)
	1" (A10)	1-5/8 inch (41 mm)
	1-1/2" (A15)	2-3/8 inch (60 mm)
	2" (A20)	3 inch (75 mm)
Shipping Weight:	1/2" (A05)	1.3 lbs./59 kg - Turbine Only: 1.1 lbs./50 kg
	3/4" (A07)	1.4 lbs./63 kg - Turbine Only: 1.2 lbs./50 kg
	1" (A10)	1.6 lbs./73 kg - Turbine Only: 1.4 lbs./63 kg
	1-1/2" (A15)	2.8 lbs./1.3 kg - Turbine Only: 2.6 lbs./1.2 kg
	2" (A20)	3.9 lbs./1.7 kg - Turbine Only: 3.7 lbs./1.7 kg
Calibration Report	Comes standard with G2 Series meters. N.I.S.T. – Certification available.	

ELECTRONIC CHOICES

Local Display, Remote Display & Remote Transmitter Options: See Electronics Section.

APPROVALS



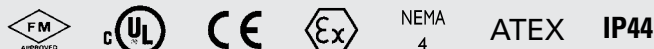
BRASS – SPECIFICATIONS

Fitting Type:	NPT or ISO (Female)				
Housing Material:	Brass				
Meter Sizes Available:	1/2"	3/4"	1"	1-1/2"	2"
Flow Range:	1/2" (B05)	1 - 10 GPM (3.8 - 37.9 LPM)			
	3/4" (B07)	2 - 20 GPM (7.6 - 75.7 LPM)			
	1" (B10)	5 - 50 GPM (18.9 - 190 LPM)			
	1-1/2" (B15)	10 - 100 GPM (38.0 - 380 LPM)			
	2" (B20)	20 - 200 GPM (76 - 760 LPM)			
Accuracy (% of Reading):		Turbine Only	Turbine w/Computer		
	1/2" (B05)	± 2.0%	± 1.5%		
	3/4" (B07)	± 1.5%	± 1.0%		
	1" (B10)	± 1.5%	± 1.0%		
	1-1/2" (B15)	± 1.0%	± 0.75%		
	2" (B20)	± 1.0%	± 0.75%		
Repeatability:	± 0.1%				
Pressure Rating:	300 PSI / 21 BAR				
Operating Temperature Range:	-40° F to +250° F (-40° C to +121° C)				
with Computer:	0° F to +140° F (-18° C to +60° C)				
Typical K-Factor:	1/2" (B05)	2,500			
	3/4" (B07)	1,100			
	1" (B10)	565			
	1-1/2" (B15)	215			
	2" (B20)	100			
Wetted Materials:	Housing:	Brass			
	Bearings:	Ceramic			
	Shaft:	Tungsten Carbide			
	Rotor:	PVDF			
	Rings:	316 Stainless Steel			
Frequency Range:	1/2" (B05)	42 - 420 Hz @ 1 - 10 GPM			
	3/4" (B07)	37 - 370 Hz @ 2 - 20 GPM			
	1" (B10)	47 - 470 Hz @ 5 - 50 GPM			
	1-1/2" (B15)	36 - 360 Hz @ 10 - 100 GPM			
	2" (B20)	33 - 330 Hz @ 20 - 200 GPM			
Recommended Strainer Size:	1/2" (B05)	55 mesh			
	3/4" (B07)	55 mesh			
	1" (B10)	55 mesh			
	1-1/2" (B15)	28 mesh			
	2" (B20)	28 mesh			
Maximum Flow:	1/2" (B05)	15 GPM (56.8 LPM)			
	3/4" (B07)	30 GPM (113.6 LPM)			
	1" (B10)	75 GPM (284 LPM)			
	1-1/2" (B15)	150 GPM (568 LPM)			
	2" (B20)	300 GPM (1,136 LPM)			
Wrench Flat Size:	1/2" (B05)	1-1/16 inch (27 mm)			
	3/4" (B07)	1-5/16 inch (33 mm)			
	1" (B10)	1-5/8 inch (41 mm)			
	1-1/2" (B15)	2-3/8 inch (60 mm)			
	2" (B20)	3 inch (75 mm)			
Shipping Weight:	1/2" (B05)	2.4 lbs./1.0 kg - Turbine Only: 2.2 lbs./1.0 kg			
	3/4" (B07)	2.6 lbs./1.1 kg - Turbine Only: 2.4 lbs./1.0 kg			
	1" (B10)	3.1 lbs./1.4 kg - Turbine Only: 2.9 lbs./1.3 kg			
	1-1/2" (B15)	3.1 lbs./1.4 kg - Turbine Only: 2.9 lbs./1.3 kg			
	2" (B20)	10.0 lbs./4.5 kg - Turbine Only: 9.8 lbs./4.4 kg			
Calibration Report	Comes standard with G2 Series meters. N.I.S.T. – Certification available.				

ELECTRONIC CHOICES

Local Display, Remote Display & Remote Transmitter Options:	See Electronics Section.
--	--------------------------

APPROVALS



"Look for the blue label!"

The G2 Industrial Brass Meter allows another choice for fluid compatibility. The GPI Brass Meter works well with most water applications. Use with glucose, lacquer thinners and vegetable juices for example.

For complete part number, see "Number Reference" chart on page 15.

Select Your Meter Size:

1/2 inch 3/4 inch 1 inch 1-1/2 inch 2 inch



Features and Benefits:

- ✓ Meter is designed for thin fluids < 100 cp.
- ✓ Modular design allows for use with Output Modules, Sensors and Remote Transmitters.
- ✓ 2 Totals (Batch = Resettable, Cumulative = Non-Resettable); Rate of Flow. Factory calibrated in gallons and litres. Field calibratable. Allows user calibration. Includes non-volatile totals.
- ✓ Internal parts are simple to replace for easy maintenance.
- ✓ Lithium battery life: 5 years.



"Look for the blue label!"

Looking for a turbine meter that can handle aggressive chemicals? Look at the PVDF Meter for a housing material that resists abrasion and has great chemical compatibility.

Use PVDF Meters with harsh chemicals: Bleach, Ferric Chloride, Phenol, Sulfuric Acid or Phosphoric Acid.

For complete part number, see "Number Reference" chart on page 15.

Select Your Meter Size:

1/2 inch

1 inch



Features and Benefits:

- ✓ Meter is designed for thin fluids < 100 cp.
- ✓ Lithium battery life: 5 years.
- ✓ Available with Local Display or Remote Transmitter.
- ✓ 2 Totals (Batch = Resettable, Cumulative = Non-Resettable); Rate of Flow. Factory calibrated in gallons and litres. Field calibratable. Allows user calibration. Includes non-volatile totals.
- ✓ Accessories easily upgrade meter.
- ✓ One field replaceable internal part making maintenance easy.

PVDF – SPECIFICATIONS

Fitting Type:	NPT or ISO (Female)	
Housing Material:	PVDF	
Meter Sizes Available:	1/2" and 1"	
Flow Range:	1/2" (P05)	1.2 - 12 GPM (4.54 - 45.42 LPM)
	1" (P10)	5 - 50 GPM (18.9 - 190 LPM)
Accuracy (% of Reading):	Turbine Only	Turbine w/Computer
	1/2" (P05)	± 2.0%
	1" (P10)	± 1.5%
Repeatability:	± 0.3%	
Pressure Rating:	150 PSI / 10.2 BAR	
Operating Temperature Range:	-20° F to +180° F (-28° C to +82° C)	
with Computer:	0° F to +140° F (-18° C to +60° C)	
Maximum Storage Temperature:	-40° F to +250° F (-40° C to +121° C)	
Typical K-Factor:	1/2" (P05)	2,400
	1" (P10)	540
Wetted Materials:	Housing:	PVDF (15% Carbon Fiber Filled)
	Bearings:	Ceramic - 98% Alumina
	Shaft:	Ceramic - 98% Alumina
	Rotor:	PVDF
	Rings:	Fluorocarbon
Optional O-Ring:	PTFE	
Frequency Range:	1/2" (P05)	48 - 480 Hz @ 1.2 - 12 GPM
	1" (P10)	45 - 450 Hz @ 5 - 50 GPM
Recommended Strainer Size:		
	1/2" (P05)	55 mesh
	1" (P10)	28 mesh
Maximum Flow:	1/2" (P05)	15 GPM (56.8 LPM)
	1" (P10)	75 GPM (284 LPM)
Shipping Weight:	1/2" (P05)	1.3 lbs./0.6 kg - Turbine Only: 1.1 lbs./ .54 kg
	1" (P10)	1.9 lbs./0.8 kg - Turbine Only: 1.7 lbs./ .77 kg
Calibration Report	Comes standard with G2 Series meters. N.I.S.T. – Certification available.	

ELECTRONIC CHOICES

Local Display, Remote Display & Remote Transmitter Options:	See Electronics Section.
--	--------------------------

APPROVALS



Features and Benefits:

- ✓ Maintains FM Approval.
- ✓ Accommodates fluid temperatures from -40° F to +250° F (-40° C to +121° C) depending on meter.
- ✓ This kit can upgrade an existing GPI meter or can be purchased with a new meter.
- ✓ Battery powered from meter; no additional power required.

SPECIFICATIONS

Magnetic Pickup:	1.3 k Ohm, 90 mH
Signal Type:	Sine Wave
Voltage:	Peak to Peak 10 mV to 500 mV
Frequency:	11 to 750 Hz
Cable:	10 ft. (3 m), 2-conductor shielded, Belden #9501

APPROVALS



FM Approved Remote Kit Assembly (Part No. 113275-1)



FM Approved Remote Kit Assembly Installed



The Factory Mutual (FM) Approved Remote Kit Assembly modifies GPI Electronic Digital Meters for applications in specialized situations including remote indication and high or low fluid temperature metering applications. This kit provides the versatility of panel mounting of the LCD readout up to 100 ft. from the turbine.

This kit consists of a sensor module, a dust cover assembly and 10 ft. of cable. Requires a complete meter with display.

Features and Benefits:

- ✓ Accommodates fluid temperatures from -40° F to +250° F (-40° C to +121° C) depending on meter.
- ✓ This kit can upgrade an existing GPI meter or can be purchased with a new meter.
- ✓ Battery powered from meter; no additional power required.

SPECIFICATIONS

Magnetic Pickup:	1.5 k Ohm, 700 mH
Signal Type:	Sine Wave
Voltage:	Peak to Peak 33 mV to 825 mV
Frequency:	11 to 750 Hz
Cable:	10 ft. (3 m), 2-conductor shielded, Belden #1266A or #8451

Standard Remote Kit Assembly (Part No. 113265-1)



Standard Remote Kit Assembly Installed



The Standard Remote Kit Assembly modifies GPI Electronic Digital Meters for applications in specialized situations including remote indication and high or low fluid temperature metering applications. This kit also provides the versatility of panel mounting of the LCD readout up to 300 ft. from the turbine housing and sensor.

This kit consists of a sensor module, a dust cover assembly and 10 ft. of cable. Requires a complete meter with display.

Conditioned Signal Output Module

(Part No. 113435-1)



This module provides an unscaled, amplified, digital signal capable of transmission up to 5,000 ft. There is no need for additional signal conditioning or amplification devices to achieve the desired digital signal. Use on G2 "Turbine Only" model.

The module is factory assembled for Open Collector signal output and operates from an external 9 to 35 volt power source. By changing terminal connections and adding a battery kit, the module provides a self-powered 6-volt Square Wave signal.

Features and Benefits:

- ✓ Provides two digital signals: Open Collector or 6-volt Square Wave and can communicate with most process control devices.
- ✓ Operating temperature range of -40° F to +212° F (-40° C to +100° C).
- ✓ Can be externally powered or battery powered.

SPECIFICATIONS

Connector:	Hubble PG7
Signal Type:	Open Collector (NPN)
Power:	External 9 to 35 VDC, approximately 1 mA
Connection:	Three wire
Frequency:	0 to 750 Hz
Cable:	10 ft. (3 m) Belden #9363

APPROVALS



FM Approved Sensor Kit

(Part No. 120077-01)



The Factory Mutual (FM) Approved Sensor is designed for use with any G2 Turbine Meter when rotor pulse data is required and the meter is located within a hazardous location. The output signal is compatible with existing GPI remote electronics. Use on G2 "Turbine Only" model.

This kit includes pickup, screws, coverplate and jam nut. Connection Kit sold separately.

Features and Benefits:

- ✓ Mounts to any G2 meter housing via the coverplate.
- ✓ Ideal for indoor or outdoor applications.
- ✓ Factory Mutual (Intrinsic Safe) Class 1, Div. 1, Groups ABCDEFG.

SPECIFICATIONS

Signal Type:	Open Collector (NPN)
Power Source:	8 to 30 VDC
Supply Current:	≤ 15 mA
Frequency:	5 to 10k Hz
Cable:	None provided - 3 conductor required for use
Temperature:	Sensor is capable of operating in the range of -40° F to +248° F (-40° C to +120° C). For Class I, II, III, Division 1: Group ABCDEFG and CSA: Class 1, Div. 1 Group ABCD, the following temperature codes apply: T6 +185° F (+85° C) at +149° F (+65° C) Ambient Temperature T5 +212° F (+100° C) at +186° F (+85° C) Ambient Temperature

APPROVALS



4-20 mA Module

(Part No. 125100-1)



4-20 mA
Module
Installed

Combine the 4-20 mA Module with an Industrial Grade Turbine and Computer Electronics to provide an industry standard analog signal for connection to a wide variety of chart recorders, display equipment and process control equipment.

This module outputs an analog signal which is directly proportional to the frequency of the digital output. With some simple adjustments, you can scale the module to represent whatever range is desired. Kit comes with circuit, assembly, enclosure and screws.

Features and Benefits:

- ✓ Communicates with most analog process control devices.
- ✓ Operating temperature range of +14° F to +140° F (-10° C to +60° C).
- ✓ Module installs on all turbine sizes.
- ✓ Provides external power to computer electronics.

SPECIFICATIONS

Signal Type:	Analog
Power:	Loop Powered
Voltage:	7 to 30 VDC
Strain Relief:	Hubble PG7
Cable:	10 ft. (3 m), Belden #9363

Pulse Access Module

(Part No. 125060-1)



Pulse Access
Module Installed

The Pulse Access Module provides an unscaled, digital signal from your GPI meter by accessing circuitry from the on-board computer readout.

This kit comes complete, ready to install, with a circuit assembly, coverplate assembly and 10 ft. of cable.

The Pulse Access Module requires both a GPI Turbine and an 09 Computer Electronics which are sold separately.

Features and Benefits:

- ✓ Provides a digital Open Collector signal.
- ✓ Operating temperature range of +14° F to +140° F (-10° C to +60° C).
- ✓ Can transmit signal up to 5,000 ft.
- ✓ Communicates with most digital process control devices and its easy to install.

SPECIFICATIONS

Signal Type:	Open Collector (NPN)
Voltage:	0 to 60 VDC
Frequency:	0 to 750 Hz
Strain Relief:	Hubble PG7
Cable:	10 ft. (3 m) Belden #9363

APPROVALS

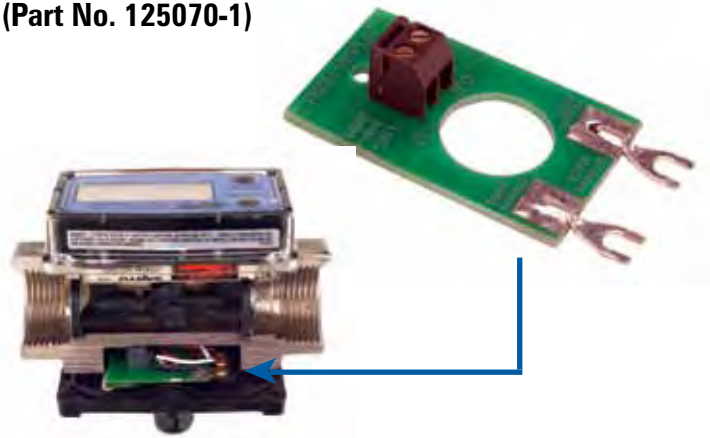


Features and Benefits:

- ✓ Internal batteries become a backup or auxiliary power source.
- ✓ Operating temperature range of +14° F to +140° F (-10° C to +60° C).
- ✓ Input power is 7 to 30 volt external power.

SPECIFICATIONS

Voltage:	7 to 30 VDC @ 1 mA
-----------------	--------------------

APPROVALS**External Power Module****(Part No. 125070-1)**

Combine the External Power Module and the GPI Pulse Access Module to provide external power capabilities to a GPI Electronic Digital Meter.

The module is designed to provide regulated power to the Computer Electronics. The batteries then become a backup or auxiliary power source.

If desired, a pulse output may be accessed. The unscaled, digital signal is capable of transmission up to 5,000 ft.

The Conduit Adapter allows you to enclose wiring from the magnetic pickup. The kit includes a turbine meter cover with a 1 inch male NPT conduit fitting and screws for plastic or metal installation.

Conduit Adapter Kit Installed



Conduit Adapter Kit (Part No. 113437-01)



90° Display Adapter Kit allows for horizontal readout of vertical meters. Includes adapter, O-ring, screws and foam spacers required for installation.

Can be ordered with a meter.
Specify -19 option with meter order.

Kit Shown Installed on PVDF Meter



90° Display Adapter Kit (Part No. 125260-01)



This new kit combines the Conduit Adapter with a magnetic pickup to allow easy installation of the 510 Series Displays or Transmitters to a G2 Meter.

510 Conversion Kit Installed



510 Conversion Kit (Part No. 11344001)



Used with the Remote Kit, this part replaces the dust cover that houses the electronic display. This module provides a digital, open collector (NPN) output signal. Use this combination to communicate to a PLC or other piece of electronic equipment.

*Pulse Access Dust
Cover Installed*



Pulse Access Dust Cover (Part No. 125080-1)



The GPI Electronics Programmer is a system composed of a small USB interface unit, a USB cable, and a software program. This kit is perfect for reconfiguring multiple GPI Electronics for the first time or when changing the configuration over the life of the meter.

Used with your PC, it allows quick, convenient on-screen setting (and reading) of setup options and calibration data from many GPI Electronic Digital Meters (EDMs).

GPI Electronics Programmer (Part No. 113800-06)





TM SERIES WATER METERS



GPI Water Meters are accurate, economical and designed to last. Choose GPI Water Meters for water processing and irrigation applications. The TM Series Water Meters meet Schedule 80 PVC specifications and come standard with the low-profile display. Meters come in seven sizes with three fitting types, offering flowrates from 1 - 800 GPM.



TM SERIES METER NUMBER REFERENCE

Product Identifier

TM = Water Meter

Turbine Size

- 050** = Schedule 80 PVC, 1/2 inch
- 075** = Schedule 80 PVC, 3/4 inch
- 100** = Schedule 80 PVC, 1 inch
- 150** = Schedule 80 PVC, 1-1/2 inch
- 200** = Schedule 80 PVC, 2 inch
- 300** = Schedule 80 PVC, 3 inch
- 400** = Schedule 80 PVC, 4 inch

Meter Dimensions listed on page 77.

Fitting Type

- Blank** = Spigot (Pipe) End
- N** = NPT (Female)
- F** = 150# ANSI Flange (3 in. and 4 in. meters only)

Electronic Choices

- Blank** = Local Display
- P** = Pulse Output
- GA** = 4-20 mA Output, No Display (3 in. and 4 in. meters only)
- GG** = Pulse Output, With Display (3 in. and 4 in. meters only)
- GX** = 4-20 mA Output, With Display (3 in. and 4 in. meters only)
- SC** = Scaled Pulse Output (3 in. and 4 in. meters only)

TM + **300** + **-N** + **-GA** ← (Sample Model Number)

TM SERIES 1/2" - 2" WATER METERS

TM SERIES

TM SERIES – SPECIFICATIONS

Design Type:	Turbine	
Fitting Size:	1/2" 3/4" 1" 1-1/2" 2"	
Fitting Type:	Schedule 80 Spigot (Pipe) End or NPT (Female)	
Flow Range:		
1/2" - TM050:	1 - 10 GPM (3.8 - 38 LPM)	
3/4" - TM075:	2 - 20 GPM (7.6 - 76 LPM)	
1" - TM100:	5 - 50 GPM (19 - 190 LPM)	
1-1/2" - TM150:	10 - 100 GPM (38 - 380 LPM)	
2" - TM200:	20 - 200 GPM (76 - 760 LPM)	
Accuracy:	± 3.0% of reading	
Pressure Rating:	225 PSIG / 15.3 BAR at 73° F (23° C)	
Operating Temperature:	+32° F to +140° F (0° to +60° C)	
Typical K-Factor:		
1/2" - TM050:	2,500	
3/4" - TM075:	1,100	
1" - TM100:	565	
1-1/2" - TM150:	215	
2" - TM200:	100	
Battery Life:	5 Years	
Wetted Materials:		
Housing:	PVC	
Bearings:	Ceramic	
Shaft:	Tungsten Carbide	
Rotor:	PVDF	
Rings:	316 Stainless Steel	
Shipping Weight (approx.):	Spigot	NPT
1/2" - TM050:	.38 lbs. (.172 kg)	.55 lbs. (.249 kg)
3/4" - TM075:	.43 lbs. (.304 kg)	.67 lbs. (.304 kg)
1" - TM100:	.49 lbs. (.222 kg)	.49 lbs. (.381 kg)
1-1/2" - TM150:	.66 lbs. (.299 kg)	1.38 lbs. (.626 kg)
2" - TM200:	.78 lbs. (.354 kg)	1.78 lbs. (.807 kg)
Display Features:	Rate of Flow, Batch and Cumulative Totals, Field Calibration available.	
Pulse Output (-P Elec. Choice):	Open Collector (NPN)	
Calibration Report	Comes standard with -P (Pulse out) TM Models. N.I.S.T. – Certification available.	

APPROVALS



Model TM150-N



"Look for the blue label!"

TM Series Meters are designed for use in water applications. The five smallest sizes are shown here. (For 3" and 4" meters, see next page.) Choose either Spigot (pipe end) or NPT fittings.



For complete part number, see "Number Reference" chart on page 46.

ACCURACY: ±3.0% READING

Features and Benefits:

- ✓ Easy to install.
- ✓ Displays in gallons, litres and cubic feet.
- ✓ Indicates Batch, Cumulative Totals and Rate of Flow.
- ✓ Available in NPT or Spigot fittings.
- ✓ Meets Schedule 80 specifications.
- ✓ Lithium battery life: 5 years.
- ✓ Non-volatile totals means amounts are retained when batteries are replaced or power is lost.

Applications:

- OEM water treatment equipment / skids
- Small waste water treatment equipment
- Sub-metering of facility water usage
- Water based cooling systems

Model TM200



"Look for the blue label!"

Model - TM300-F



"Look for the blue label!"

TM Series Meters are designed for use in water applications. The 3" and 4" models are shown here. Choose Spigot (pipe end), NPT or 150# ANSI Flange fittings.



For complete part number, see "Number Reference" chart on page 46.

TM SERIES – SPECIFICATIONS

Design Type:	Turbine		
Fitting Size:	3" 4"		
Fitting Type:	Schedule 80 Spigot (Pipe) End, NPT (Female) or 150# ANSI Flange		
Flow Range:			
3" - TM 300:	40 - 400 GPM (151 - 1514 LPM)		
Extended Range:	30 - 600 GPM (131 - 2271 LPM)		
4" - TM400:	60 - 600 GPM (227 - 2271 LPM)		
Extended Range:	40 - 800 GPM (151 - 3028 LPM)		
Accuracy:	± 3.0% of reading		
Pressure Rating:	225 PSIG / 15.3 BAR at 73° F (23° C)		
For CE Applications:	135 PSIG / 9.1 BAR at 73° F (23° C)		
Operating Temperature:	+32° F to +140° F (0° to +60° C)		
Typical K-Factor:			
3" - TM 300:	43		
4" - TM400:	17		
Battery Life:	5 Years		
Wetted Materials:			
Housing:	PVC		
Bearings:	PEEK		
Shaft & Thrust Washers:	Stainless Steel		
Rotor & Nose Cone:	Acetal		
Signal Generator:	Ferrite		
Shipping Weight (approx.):	Spigot	NPT	Flange
3" - TM300:	2.4 lbs. (1.09 kg)	3.9 lbs. (1.77 kg)	5.8 lbs. (2.63 kg)
4" - TM400:	3.7 lbs. (1.68 kg)	6.1 lbs. (2.77 kg)	9.2 lbs. (4.17 kg)
Display Features:	Rate of Flow, Batch and Cumulative Totals, Field Calibration available.		
Pulse Output (-P Elec. Choice):	Open Collector (NPN)		
Calibration Report	Comes standard with -P (Pulse out) TM Models. N.I.S.T. – Certification available.		

ACCURACY: ±3.0% READING

Features and Benefits:

- ✓ Available in Spigot, NPT and Flange fittings.
- ✓ Displays in gallons, litres and cubic feet.
- ✓ Indicates Batch, Cumulative Totals and Rate of Flow.
- ✓ One-piece field replaceable turbine assembly.
- ✓ Spigot models may be cut to length.
- ✓ Meets Schedule 80 specifications.
- ✓ Lithium battery life: 5 years.
- ✓ Non-volatile totals means amounts are retained when batteries are replaced or power is lost.

Applications:

- OEM water treatment equipment / skids
- Sub-metering of facility water usage
- Waste water treatment equipment
- Chemical feed systems
- Cooling towers
- Irrigation

ELECTRONIC CHOICES

GG, GX, GA or SC: See Electronics Section.

APPROVALS



Spigot Model - TM400



"Look for the blue label!"

NPT Model - TM300-N



"Look for the blue label!"



"Look for the blue label!"

150# ANSI Flange Model - TM400-N-GX



"Look for the silver label!"

A1 SERIES COMMERCIAL GRADE METERS



"Look for the silver label!"

Commercial Grade Meters are designed as self-contained, battery powered units. These indicating meters come in Aluminum or Nylon only. A1 Meters are not field serviceable like the popular G2 Series Meters. For flowmeters with advanced features and additional housing materials, refer to the G Series, G2 Series, GM Series or TM Series sections in this catalog.

1) Select Your Turbine



Aluminum



Nylon



2) Select Your Electronic Choice

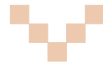
For further details see the Electronics Section.



"Look for the silver label!"
09 Computer



XX No Computer



3) Select Your Module

For further details see pages 54-55.



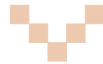
Standard Remote Kit



FM Approved Remote Kit



Conditioned Signal Output Module



4) Do You Require Any Accessories?

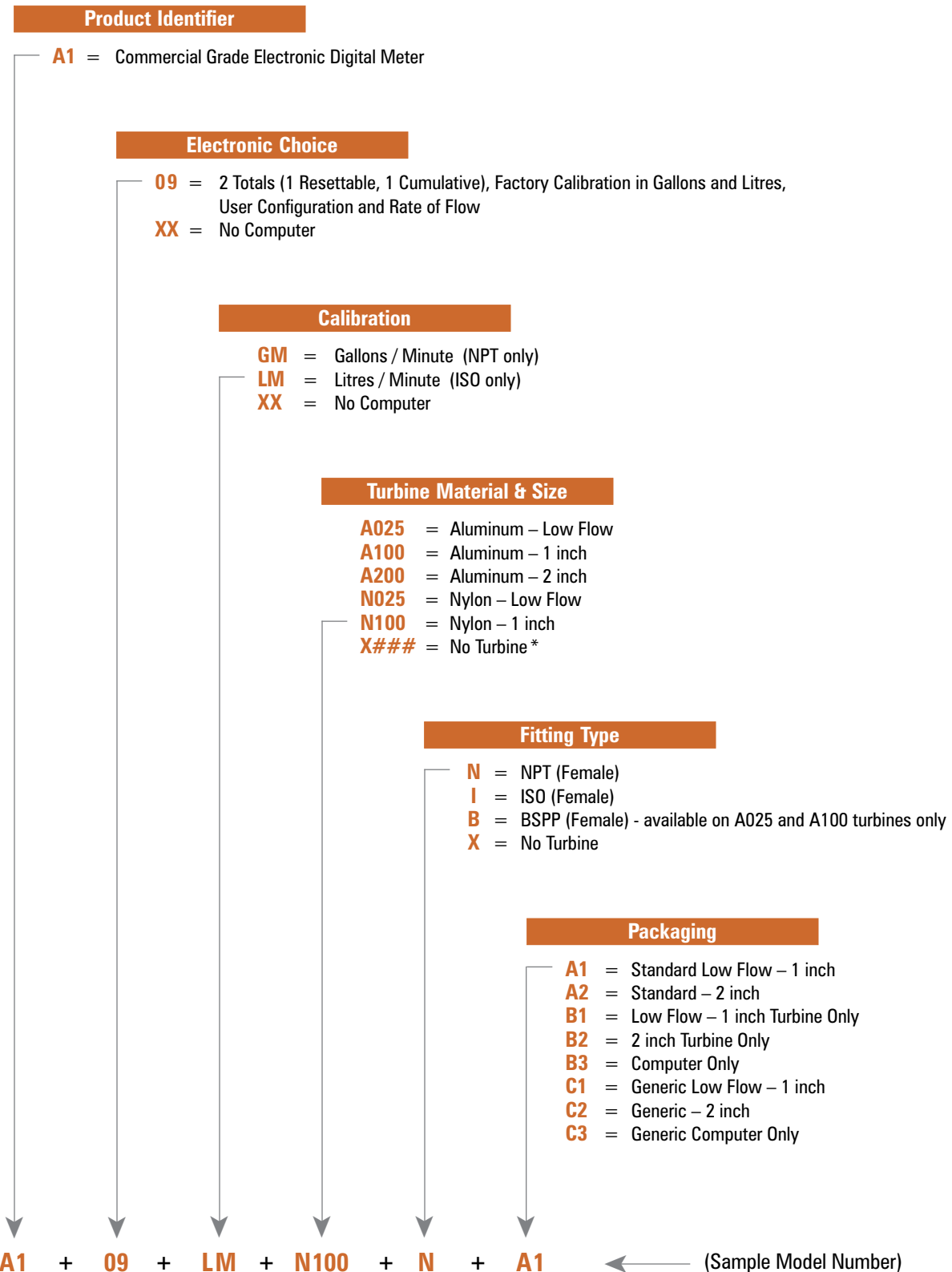
For further details see page 56.



Display Adapter Kit



GPI Electronics Programmer



* When ordering Computer Assembly Only, specify Turbine Housing size.

A1 COMMERCIAL GRADE METERS

GPI Commercial Grade Meters are identified by an A1 prefix. Commercial Grade Meters are packaged as a self-contained unit. Select this meter when you need an accurate, basic meter. GPI Commercial Grade Meters come in Aluminum or Nylon housing material.

Choose one of three sizes of Aluminum meters for petroleum products. Use the Nylon meters for water or non-aggressive chemicals.



Aluminum

"Look for the silver label!"



Nylon

For complete part number, see "Number Reference" chart on page 51.

ACCURACY: ±1.5% READING
(On models A100, A200 and N100)

Select Your Fitting Size:

Aluminum

Low Flow 1 inch 2 inch

Nylon

Low Flow 1 inch

Features and Benefits:

- ✓ Unique package combines Turbine and LCD into a self-contained, compact, economical meter.
- ✓ Local Display Computer features: 2 Totals (1 Resettable, 1 Cumulative); Factory Calibration in gallons and litres; User Configuration and Rate of Flow.
- ✓ Output capabilities available to communicate with process control equipment.
- ✓ Lightweight, compact design allows for easy installation.
- ✓ Lithium battery life: 5 years.

APPROVALS



A1 METER SPECIFICATIONS

A1 SERIES

	ALUMINUM			NYLON	
	A025 (Low Flow)	A100 (1 inch)	A200 (2 inch)	N025 (Low Flow)	N100 (1 inch)
Design Type:	Paddlewheel	Turbine	Turbine	Paddlewheel	Turbine
Housing Material:	Aluminum	Aluminum	Aluminum	Nylon	Nylon
Fitting Size:	1 inch	1 inch	2 inch	1 inch	1 inch
Fitting Type:	NPT, ISO or BSPP(female)	NPT, ISO or BSPP(female)	NPT or ISO (female)	NPT or ISO (female)	NPT or ISO (female)
Flow Range (GPM):	0.3 - 3 GPM	3 - 50 GPM	30 - 300 GPM	0.3 - 3 GPM	3 - 50 GPM
Flow Range (LPM):	1 - 11 LPM	11 - 190 LPM	114 - 1,135 LPM	1 - 11 LPM	11 - 190 LPM
Accuracy:	N/A *	± 1.5% of reading	± 1.5% of reading	N/A *	± 1.5% of reading
Repeatability:	± 1%	± 0.2%	± 0.2%	± 1%	± 0.2%
Pressure Rating:	300 PSI / 21 BAR	300 PSI / 21 BAR	300 PSI / 21 BAR	150 PSI / 10.2 BAR	150 PSI / 10.2 BAR
Operating Temperature Range:	-40° F to +250° F (-40° C to +121° C)	-40° F to +250° F (-40° C to +121° C)	-40° F to +250° F (-40° C to +121° C)	-40° F to +250° F (-40° C to +121° C)	-40° F to +250° F (-40° C to +121° C)
with Computer:	0° F to +140° F (-18° C to +60° C)	0° F to +140° F (-18° C to +60° C)	0° F to +140° F (-18° C to +60° C)	0° F to +140° F (-18° C to +60° C)	0° F to +140° F (-18° C to +60° C)
Wetted Material - Housing:	Aluminum	Aluminum	Aluminum	Nylon	Nylon
Bearings:	Ceramic	Ceramic	Ceramic	Ceramic	Ceramic
Shaft:	Tungsten Carbide	Tungsten Carbide	Tungsten Carbide	Tungsten Carbide	Tungsten Carbide
Rotor:	Nylon	Nylon	Nylon	Nylon	Nylon
Signal Generators:	Ferrite	Ferrite	Ferrite	Ferrite	Ferrite
Rings:	316 Stainless Steel	316 Stainless Steel	316 Stainless Steel	316 Stainless Steel	316 Stainless Steel
Typical K-Factor:	2200	730	72	2200	730
Frequency Range:	11 - 110 Hz @ 0.3 - 3 GPM	36.5 - 608.3 Hz @ 3 - 50 GPM	36 - 360 Hz @ 30 - 300 GPM	11 - 110 Hz @ 0.3 - 3 GPM	36.5 - 608.3 Hz @ 3 - 50 GPM
Recommended Strainer Size:	55 mesh	28 mesh	28 mesh	55 mesh	28 mesh
Shipping Weight:	1.35 lbs. (0.61 kg)	1.35 lbs. (0.61 kg)	3.0 lbs. (1.36 kg)	1.0 lbs. (0.5 kg)	1.0 lbs. (0.5 kg)
Local Display:	09 Computer (See page 63)	09 Computer (See page 63)	09 Computer (See page 63)	09 Computer (See page 63)	09 Computer (See page 63)
Calibration Report	Comes standard with A1 Series Meters. N.I.S.T. – Certification available.				

* Accuracy can vary up to ± 5% depending on installation and fluid type.
Field Calibration is recommended for best accuracy.

FM Approved Remote Kit Assembly (Part No. 113275-1)



*FM Approved
Remote Kit
Assembly Installed*

The Factory Mutual (FM) Approved Remote Kit Assembly modifies GPI Electronic Digital Meters for applications in specialized situations including remote indication and high or low fluid temperature metering applications. This kit provides the versatility of panel mounting of the LCD readout up to 100 ft. from the turbine.

This kit consists of a sensor module, a dust cover assembly and 10 ft. of cable; it also requires a 09 Computer.

Features and Benefits:

- ✓ Maintains FM Approval.
- ✓ Accommodates fluid temperatures from -40° F to +250° F (-40° C to +121° C).
- ✓ This kit can upgrade an existing GPI meter or can be purchased with a new meter.
- ✓ Use this module with GPI Industrial or Commercial Grade Electronic Digital Meters.

SPECIFICATIONS

Magnetic Pickup:	1.3 k Ohm, 90 mH
Signal Type:	Sine Wave
Voltage:	Peak to Peak 10 mV to 500 mV
Frequency:	11 to 750 Hz
Cable:	10 ft. (3 m), 2-conductor shielded, Belden #9501

APPROVALS



Standard Remote Kit Assembly (Part No. 113265-1)



*Standard Remote Kit
Assembly Installed*

The Standard Remote Kit Assembly modifies GPI Electronic Digital Meters for applications in specialized situations including remote indication and high or low fluid temperature metering applications. This kit also provides the versatility of panel mounting of the LCD readout up to 300 ft. from the turbine housing and sensor.

This kit consists of a sensor module, a dust cover assembly and 10 ft. of cable; it also requires a 09 Computer.

Do not use on A1 2-inch meter. Order 113275-1.

Features and Benefits:

- ✓ Accommodates fluid temperatures from -40° F to +250° F (-40° C to +121° C).
- ✓ This kit can upgrade an existing GPI meter or can be purchased with a new meter.
- ✓ Battery powered from meter; no additional power required.

SPECIFICATIONS

Magnetic Pickup:	1.5 k Ohm, 700 mH
Signal Type:	Sine Wave
Voltage:	Peak to Peak 33 mV to 825 mV
Frequency:	11 to 750 Hz
Cable:	10 ft. (3 m), 2-conductor shielded, Belden #1266A or #8451

Features and Benefits:

- ✓ Provides two digital signals: Open Collector or 6-volt Square Wave and can communicate with most process control devices.
- ✓ Operating temperature range of -40° F to +212° F (-40° C to +100° C).
- ✓ Can be externally powered or battery powered.

SPECIFICATIONS

Connector:	Hubble PG7
Signal Type:	Open Collector (NPN)
Power:	External 9 to 35 VDC, approximately 1 mA
Connection:	Three wire
Frequency:	0 to 750 Hz
Cable:	10 ft. (3 m) Belden #9363

APPROVALS



Conditioned Signal Output Module (Part No. 113435-1)



This module provides an unscaled, amplified, digital signal capable of transmission up to 5,000 ft. There is no need for additional signal conditioning or amplification devices to achieve the desired digital signal. Use on G2 "Turbine Only" model.

The module is factory assembled for Open Collector signal output and operates from an external 9 to 35 volt power source. By changing terminal connections and adding a battery kit, the module provides a self-powered 6-volt Square Wave signal.

90° Display Adapter Kit (Part No. 125260-01)



90° Display Adapter Kit allows for horizontal readout of vertical meters. Includes adapter, O-ring, screws and foam spacers required for installation.



*Kit Shown Installed
on PVDF Meter*

GPI Electronics Programmer (Part No. 113800-06)



The GPI Electronics Programmer is a system composed of a small USB interface unit, a USB cable, and a software program. This kit is perfect for reconfiguring multiple GPI Electronics for the first time or when changing the configuration over the life of the meter.

Used with your PC, it allows quick, convenient on-screen setting (and reading) of setup options and calibration data from many GPI Electronic Digital Meters (EDMs).



"Look for the red label!"



ECONOMY ELECTRONIC DIGITAL METERS

GPI offers a variety of economy meters to meet specific applications. These meters are great for monitoring and indication. They provide lower accuracy than our other meters but are an economical choice in many applications. The economy meters are not field serviceable like the popular G2 Series Meters.

LM SERIES MECHANICAL LUBE METERS



Model No.
LM50P

Model No.
LM50D

Model No.
LM50M

Choose from one of the latest positive displacement meters available from GPI. These compact meters are perfect for metering engine oils or transmission fluids (maximum viscosity 1,000 cp). The LM50M Mechanical Meter is suitable for hazardous locations.

Choose the LM50P when Pulse Out without Display meets your application. The LM50D model includes an easy-to-read display. All meters are designed with oval rotors for optimum accuracy.

Features and Benefits:

- ✓ Extremely accurate.
- ✓ Dependable performance.
- ✓ Reliable, trouble-free operation.
- ✓ Total and Flowrate.

LM50P – SPECIFICATIONS

Construction:	Aluminum
Wetted Components:	Acetal, Aluminum, Nitril and Steel
Connections:	1/2 inch NPT or BSPT (Female)
K-Factor:	424 PPG / 112 PPL
Flow Range:	0.26 - 7.8 GPM (1 - 30 LPM) @ 5 - 1,000 cp
Accuracy:	± 0.5% of reading
Max. Working Pressure:	1,500 PSI / 103.5 BAR
Operating Temperature:	+23° F to +131° F (-5° C to +55° C)
Model Numbers:	LM50PB (Lube Meter 1/2" BSPT) LM50PN (Lube Meter 1/2" NPT)

LM50D – SPECIFICATIONS

Construction:	Aluminum
Wetted Components:	Acetal, Aluminum, Nitril and Steel
Connections:	1/2 inch NPT or BSPT (Female)
Flow Range:	0.26 - 7.8 GPM (1 - 30 LPM) @ 5 - 1,000 cp
Accuracy:	± 0.5% of reading
Max. Working Pressure:	1,500 PSI / 103.5 BAR
Operating Temperature:	+23° F to +131° F (-5° C to +55° C)
Battery:	Two AAA Alkaline batteries
Display:	6 digit; Shows Batch, Reset Total, Non-Reset Total and Rate of Flow
Display Units:	User selectable (gallons, litres, pints or quarts)
Model Numbers:	LM50DB (Lube Meter with Display 1/2" BSPT) LM50DN (Lube Meter with Display 1/2" NPT)

LM50M – SPECIFICATIONS

Construction:	Aluminum
Wetted Components:	Acetal, Aluminum, Nitril and Steel
Connections:	1/2 inch NPT or BSPT (Female)
Flow Range:	0.26 - 7.8 GPM (1 - 30 LPM) @ 5 - 1,000 cp
Accuracy:	± 1.0% of reading
Max. Working Pressure:	1,500 PSI / 103.5 BAR
Operating Temperature:	+14° F
Battery:	None required
Model Numbers:	LM50MNG - 1/2" NPT fitting. Calibrated in gallons LM50MNL - 1/2" NPT fitting. Calibrated in litres LM50MBL - 1/2" BSPT fitting. Calibrated in litres LM50MBQ - 1/2" BSPT fitting. Calibrated in quarts LM50MBG - 1/2" BSPT fitting. Calibrated in gallons LM50MNQ - 1/2" NPT fitting. Calibrated in quarts

01N – SPECIFICATIONS

Design Type:	Turbine
Fitting Size:	1 inch
Fitting Type:	NPT or ISO (Female)
Flow Range:	3 - 30 GPM (10 - 100 LPM)
Accuracy:	± 5.0% of reading
Repeatability:	± .5%
Pressure Rating:	150 PSIG (10.2 BAR)
Operating Temperature:	+14° F to +131° F (-10° C to +55° C)
Wetted Material:	
Housing:	Nylon
Bearings:	Ceramic
Shaft:	Tungsten Carbide
Rotor:	Nylon
Signal Generators:	Ferrite
Rings:	316 Stainless Steel
Shipping Weight (approx.):	1.1 lbs. (0.5 kg) (See page 76 for meter dimensions)
Local Display:	Includes: 2 Totals (1 Cumulative, 1 Batch); Permanent factory calibration for water.

APPROVALS



01N Series Water Meter



ACCURACY: ±5.0% OF READING

Features and Benefits:

- ✓ Simple, small and sturdy Electronic Digital Water Meter with rugged nylon housing.
- ✓ Mount on the end of a hose or a pipe, in-line.
- ✓ Complete meter, including turbine assembly, micro-processor and LCD readout.
- ✓ Choice of gallon and litre measurement.
- ✓ Works well on any pump or gravity feed system with at least 3-30 GPM (10-100 LPM) flow range.

01A – SPECIFICATIONS

Design Type:	Turbine
Fitting Size:	1 inch
Fitting Type:	NPT or ISO or BSPP (Female)
Flow Range:	3 - 30 GPM (10 - 100 LPM)
Accuracy:	± 5.0% of reading
Repeatability:	± .5%
Pressure Rating:	300 PSIG (21 BAR)
Operating Temperature:	+14° F to +130° F (-10° C to +54° C)
Wetted Material:	
Housing:	Aluminum
Bearings:	Ceramic
Shaft:	Tungsten Carbide
Rotor:	Nylon
Signal Generators:	Ferrite
Rings:	316 Stainless Steel
Shipping Weight (approx.):	2 lbs. (0.9 kg) (See page 76 for meter dimensions)
Local Display:	Includes: 2 Totals (1 Cumulative, 1 Batch); Permanent factory calibration for gasoline, diesel fuel or kerosene.

APPROVALS



01A Series Fuel Meter



"Look for the red label!"

ACCURACY: ±5.0% OF READING

Features and Benefits:

- ✓ Lightweight, accurate, and reliable turbine meter with rugged aluminum housing and sealed electronic circuitry.
- ✓ Powered by two AAA batteries that are easy to replace.
- ✓ Factory calibrated for petroleum fuel with a choice of gallon and litre measurement.
- ✓ Works well on any pump or gravity feed system with at least 3-30 GPM (10-100 LPM) flow range.

FM-300H/R Chemical Meter



FM-300H/R – SPECIFICATIONS

Design Type:	Nutating Disc with Electronic Display
Fitting Size:	1 inch
Fitting Type:	Inlet: NPT (Female) Outlet: NPT (Male)
Flow Range:	2 - 20 GPM (7 - 75 LPM)
Accuracy:	± 2.0% of reading
Pressure Rating:	50 PSIG (3.4 BAR)
Operating Temperature:	+15° F to +130° F (-9° C to +54° C)
Wetted Material:	
Housing:	PBT Polyester
Fluid Chamber:	PBT Polyester
Signal Generator Kit:	PBT Polyester / Ferrite
Seals:	Fluorocarbon
Clip:	316 Stainless Steel
Shipping Weight (approx.):	3 lbs. (1.4 kg)
Display Options:	Local Display includes: Rate of Flow, Batch and Cumulative Totals. Factory and Field Calibration.

ACCURACY: ±2.0% OF READING

Features and Benefits:

- ✓ Simple, small and sturdy Electronic Digital Disc Meter with rugged PBT housing.
- ✓ Mount on the end of a hose or a pipe, in-line.
- ✓ Complete meter, including disc assembly, micro-processor and LCD readout.
- ✓ Choice of gallon and litre measurement.
- ✓ Factory calibrated for thin and medium fluids. Field calibrate for more viscous fluids.

APPROVALS





"Look for the blue label!"









ELECTRONIC CHOICES

GPI Electronics are available with a variety of features. Choosing the best combination of meter and electronics is easy using the GPI System. The Meter Application Sheet in the Reference Section can serve as a worksheet to guide you in selecting the right GPI product for your application. Your GPI Sales Representative can assist you with this process.

1) What meter do I need in this application?

Meter choice is determined by: Level of accuracy required, flowrate, line size, viscosity, fitting type, pressure rating, temperature, chemical compatibility and etc. The general categories below provide some basic information about meter types.

G Series Meters SECTION 1	G2 Series Meters SECTION 2	GM Series Meters SECTION 3
 <p>Precision Meters</p>	 <p>"Look for the blue label!" Wide range of materials and sizes.</p>	 <p>Positive Displacement Meter technology in a variety of materials and sizes.</p>
TM Series Water Meters SECTION 4	A1 Commercial Grade Meters SECTION 5	Economy Meters SECTION 6
 <p>"Look for the blue label!" Water Meters</p>	 <p>"Look for the silver label!" Aluminum or Nylon Meters with display in a self-contained unit.</p>	 <p>"Look for the red label!" Water, fuel, lube and chemical meters with basic features.</p>



2) What type of output do I need from my electronics?

Output can be simple totals, rate of flow and various types of signal output. GPI Electronics can be mounted to the meter or to a remote location and come with or without display.

Local Display	GA Series Electronics	GG Series Electronics	GX Series Electronics	SC Series Electronics
09 Electronics	4-20 mA Output Without Display	Pulse Output With Display	4-20 mA Output With Display	Scaled Pulse Output



3) How do I place an order?

Are you buying your GPI Electronics as part of a **system** in combination with a meter or **stand alone** (as a replacement for an existing electronics)? Model numbers will vary depending on how the electronics unit is ordered.

Contact GPI Customer Support at:
888-996-3837 or **316-686-7361** for assistance.

09 COMPUTER – SPECIFICATIONS

Std. Factory Configuration:	2 Totals (1 Resettable, 1 Cumulative); Factory Calibration in gallons and litres; User Calibration and Rate of Flow Indication.
Computer Electronics:	09 Computer fits all A1, TM & G2 meter sizes and construction. Std. Display fits GM Series Meters.
Totalizing Registers:	0 to 3 available
K-Factor Limits:	Min: .01 pulses/unit Max: 999,999 pulses/unit
Field Calibration:	Field calibrate by user. Standard Method: Correction Factor. Six adjustable digits. Can be reconfigured to K-factor entry.
Readout Totals:	LCD with floating decimal Minimum Display = 0.01 units Maximum Display = 999,999 units (6 digits)
Input Pulse Rate:	Minimum (Pulse-in Input) = DC (0 Hz) Minimum (Coil Input) = Approximately 10 Hz Maximum = Approximately 1,000 Hz
Turbine Display:	
Internal Power Supply:	2 Lithium batteries at 3 volts each
Lithium Battery Life:	5 Years
Optional Power Supply:	7 to 30 VDC
Oval Gear Display:	
Internal Power Supply:	9-volt battery
Optional Power Supply:	10 to 18 VDC
Operating Temperature:	0° F to +140° F (-18° C to +60° C)
Storage Temperature:	-40° F to +158° F (-40° C to +70° C)

APPROVALS



Using a password-protected configuration process you can enable additional features. GPI Customer Service can provide the password and instructions to unlock and reset configuration settings. This information is also available on the GPI website. **User Configuration** features include:

- Totalizers/Modes Enabled (Cumulative Total, Batch 2 Total, Flowrate Mode)
- Flowrate Timebase (Units per Minutes, Hours and Days)
- Factory Calibration Curve Units Enabled (Gallons, Imperial Gallons, Litres, Quarts, Ounces, Cubic Feet, Cubic Centimeters, Cubic Meters or Barrels (42 gal.))
- Dispense/Display or K-Factor Entry Calibration

Local Display for Turbine Meter



"Look for the blue label!"

Choose the local display for G2 and GM Series Meters. Commonly used features are preprogrammed in the Computer Display. End-users can enable additional features by using a password available from the factory or on the GPI website. The 09 configuration provides a high degree of customization, matching customers' exact needs.

Features and Benefits:

- ✓ 2 Totals (Batch - Resettable, Cumulative - Not Resettable).
- ✓ Flowrate display updates every 5 seconds, readout is in units/minute.
- ✓ Factory Calibration in gallons and litres is standard. Can be field calibrated to adjust to various fluid thickness.
- ✓ Correction calibration lets end user calibrate by \pm percent off.
- ✓ Small, compact and totally self contained with an internal power supply.
- ✓ Non-volatile totals means amounts are retained when batteries are replaced or power is lost.
- ✓ Lithium battery life: 5 years.

Display With Pulse Output

GG500
Remote Mount



GG510
Local Mount

The GG500 is a remote mount Pulse-Out Transmitter with battery powered display. Choose the GG510 when a local mount is needed.

GG500/GG510 – SPECIFICATIONS

Accuracy:	± 0.1% of reading
Output Options:	
Primary Output:	Open Collector (NPN)
Pulse-Out:	
Max. "OFF" Voltage:	60 V
Max. "ON" Current:	200 mA
Max. "ON" Voltage Drop:	< 0.5 V @ 200 mA
Electrical:	
Strain Relief:	Hubble PG7
Strain Relief Thread:	Female 1/2-20 UNF-2B
Cable:	<i>Remote:</i> Belden 9363 (500 Series only) <i>Local:</i> No cable provided
Cable Length:	20 ft. (6 m) provided (500 Series only)
Power Supply:	9-volt battery or externally powered
Voltage Supply (Min.):	7 VDC
Voltage Supply (Max.):	30 VDC
Input Options:	Hall Effect, Reed Switch, Open Collector or Low Level Sine Wave
Remote Mounting:	Pipe or wall
Operating Temperature:	+14° F to +140° F (-10° C to +60° C)
Frequency Input:	
Low Level Coil (LLC):	0 - 1000 Hz
High Level Low Freq.:	0 - 150 Hz
High Level High Freq.:	0 - 1000 Hz
Enclosure Rating:	NEMA 4X / IP55
Shipping Weight:	<i>Remote:</i> 2.0 lbs. (.90 kg) <i>Local:</i> 1.0 lbs. (.45 kg)
Calibratable:	K-factor Entry

ACCURACY: ±0.1% READING

Features and Benefits:

- ✓ Provides communication with process control equipment.
- ✓ Works with G Series, G2 Turbine Meters and GM Oval Gear Meters.
- ✓ 2 Totals (Batch = Resettable, Cumulative = Non-Resettable); Rate of Flow. Factory calibrated in gallons and litres. Field calibratable. Allows user calibration. Includes non-volatile totals.
- ✓ Industry Standard Output: Unscaled Pulse.
- ✓ Easily mounted on pipe or wall.

GX500/GX510 – SPECIFICATIONS

Accuracy:	± 0.1% of reading
Output Options:	
Primary Output:	Loop (4-20 mA or 0-20 mA)
Minimum:	1.5 mA
Maximum:	25 mA
Auxiliary Outputs 0-5 V:	Single Ended
Minimum:	0.1 V
Maximum:	4.9 V
Pulse-Out:	
Max. "OFF" Voltage:	60 V
Max. "ON" Current:	200 mA
Max. "ON" Voltage Drop:	< 0.5 V @ 200 mA
Electrical:	
Strain Relief:	Hubble PG7
Strain Relief Thread:	Female 1/2-20 UNF-2B
Cable:	<i>Remote:</i> Belden 9363 (500 Series only) <i>Local:</i> No cable provided
Cable Length:	20 ft. (6 m) provided (500 Series only)
Power Supply:	2-wire, loop powered
Voltage Supply (Min.):	8.5 VDC
Voltage Supply (Max.):	35 VDC
Input Options:	Hall Effect, Reed Switch, Open Collector or Low Level Sine Wave
Remote Mounting:	Pipe or wall
Operating Temperature:	+32° F to +140° F (0° C to +60° C)
Frequency Input:	
Low Level Coil (LLC):	0.25 - 1000 Hz
High Level Low Freq.:	0.25 - 150 Hz
High Level High Freq.:	0.25 - 1000 Hz
Optically Isolated HLLF:	w/2500 V optical isolation
Optically Isolated HLHF:	w/2500 V optical isolation
Enclosure Rating:	NEMA 4X / IP55
Shipping Weight:	<i>Remote:</i> 2.0 lbs. (.90 kg) <i>Local:</i> 1.1 lbs. (.5 kg)
Calibratable:	K-factor Entry

Display With 4-20 mA Output



GX500
Remote Mount



GX510
Local Mount

The GX500 is a remote mount 4-20 mA Output Transmitter with display. Choose the GX510 when a local mount is needed.

ACCURACY: ±0.1% READING

Features and Benefits:

- ✓ Provides communication with process control equipment.
- ✓ Works with G Series, G2 Turbine Meters and GM Oval Gear Meters.
- ✓ 2 Totals (Batch = Resettable, Cumulative = Non-Resettable); Rate of Flow. Factory calibrated in gallons and litres. Field calibratable. Allows user calibration. Includes non-volatile totals.
- ✓ Now available with Lockout feature.
- ✓ Microprocessor-based electronics have extremely low power requirements.
- ✓ Easy to set 4-20 mA endpoints under actual flow conditions.
- ✓ A signal conditioner with industry standard current loop output.
- ✓ Easily mounted on pipe or wall.

4-20 mA Output

GA500
Remote MountGA510
Local Mount

The GA500 is a remote mount 4-20 mA Output Transmitter without display. Choose the GA510 when a local mount is needed.

GA500/GA510 – SPECIFICATIONS

Accuracy:	± 0.1% of reading
Output Options:	
Primary Output:	Loop (4-20 mA or 0-20 mA)
Minimum:	1.5 mA
Maximum:	25 mA
Auxiliary Outputs 0-5 V:	Single Ended
Minimum:	0.1 V
Maximum:	4.9 V
Pulse-Out:	
Max. "OFF" Voltage:	60 V
Max. "ON" Current:	200 mA
Max. "ON" Voltage Drop:	< 0.5 V @ 200 mA
Electrical:	
Strain Relief:	Hubble PG7
Strain Relief Thread:	Female 1/2-20 UNF-2B
Cable:	<i>Remote:</i> Belden 9363 (500 Series only) <i>Local:</i> No cable provided
Cable Length:	20 ft. (6 m) provided (500 Series only)
Power Supply:	2-wire, loop powered
Voltage Supply (Min.):	8.5 VDC
Voltage Supply (Max.):	35 VDC
Input Options:	Hall Effect, Reed Switch, Open Collector or Low Level Sine Wave
Mounting:	Pipe or wall
Operating Temperature:	+32° F to +140° F (0° C to +60° C)
Frequency Input:	
Low Level Coil (LLC):	0.25 - 1000 Hz
High Level Low Freq.:	0.25 - 150 Hz
High Level High Freq.:	0.25 - 1000 Hz
Optically Isolated HLLF:	w/2500 V optical isolation
Optically Isolated HLHF:	w/2500 V optical isolation
Enclosure Rating:	NEMA 4X / IP55
Shipping Weight:	<i>Remote:</i> 2.0 lbs. (.90 kg) <i>Local:</i> 1.1 lbs. (.5 kg)

ACCURACY: ±0.1% READING

Features and Benefits:

- ✓ Provides communication with process control equipment.
- ✓ Works with G Series, G2 Turbine Meters and GM Oval Gear Meters.
- ✓ Now available with Lockout feature.
- ✓ Microprocessor-based electronics have extremely low power requirements.
- ✓ Easy to set 4-20 mA endpoints under actual flow conditions.
- ✓ A signal conditioner with industry standard current loop output.
- ✓ Easily mounted on pipe or wall.

SC500/SC510 – SPECIFICATIONS

Accuracy:	± 0.1% of reading
Power Source:	DC powered 5 to 30 VDC
Input Signal:	Hall Effect, Reed Switch or Open Collector (NPN) or Sine Wave
Output Signal:	Open Collector (NPN)
Frequency Range:	Coil, HF = 0-1500 Hz; LF = 0-150 Hz
Operating Temperature:	-40° F to +185° F (-40° C to +85° C)
Cable:	<i>Remote:</i> 20 ft., 3-conductor, tinned drain wire, 22 AWG, PVC jacket .212 dia. Ref. Belden 9363. <i>Local:</i> No cable provided
Mechanical Connections:	<i>Remote:</i> Wall or pipe mountable with standard U-bolts. <i>Local:</i> Unit is mounted to meter body, 1" NPT.
Electrical Connections:	<i>Remote:</i> Two strain relief ports <i>Local:</i> One strain relief port; one threaded plug

Scaled Pulse Output



SC500
Remote Mount



SC510
Local Mount

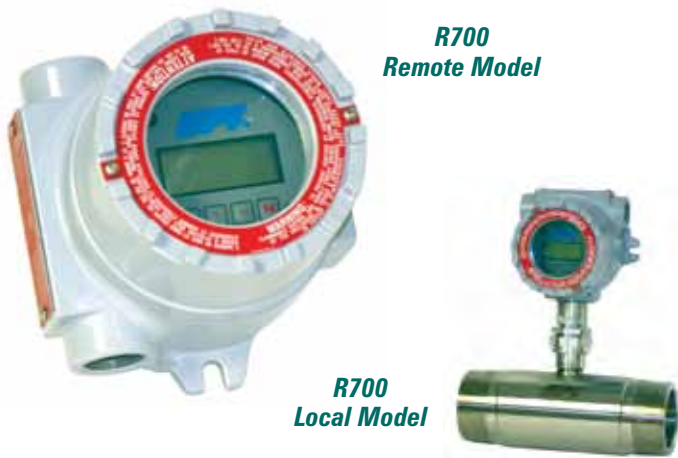
The GPI Scaled Pulse Module is a switch-programmable multi-stage counter/divider with multiple inputs. The module provides selectable K-factor to convert input frequency to scaled pulse output. The SC500 connects via a 20 foot input cable. The SC510 connects directly to the 1 inch MNPT conduit connector.

ACCURACY: ±0.1% READING

Features and Benefits:

- ✓ Converts input frequency to scaled pulse output.
- ✓ Provides communication with process control equipment.
- ✓ Works with G Series, G2 and A1 Turbine Meters and Oval Gear Meters.
- ✓ Remote model mounts on pipe or wall.

R700 Explosion Proof 4-20 mA Transmitter with Display



The R700 4-20 mA Transmitter is a loop powered transmitter with simultaneous Rate & Total indicator. The R700 features an explosion proof enclosure for hazardous location use. It also features 20 point linearization.

R700-L Local Mount R700-R Remote Mount

Features and Benefits:

- ✓ Magnetic Pickup Input, Contact Closure Input, DC Pulse Input.
- ✓ 20 point linearization.

R700 – SPECIFICATIONS

Power Supply:	8.5-30 VDC
Accuracy:	0.01% Reading \pm 1 Count
Operating Temperature:	-4° F to +158° F (-20° C to +70° C)
Output:	4-20 mA, Isolated from Ground
Display:	5-digit Rate; 8-digit Totalizer

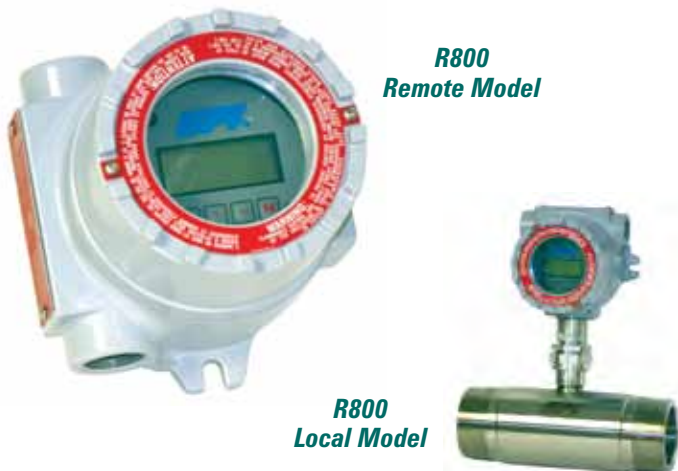
ENCLOSURE APPROVALS



NEMA
4X



R800 Explosion Proof Totalizer & Rate Indicator



The R800 is a battery powered Totalizer & Rate Indicator. Both Local and Remote models are available. The R800 features an explosion proof enclosure for hazardous location use. It also features 20 point linearization.

R800-LBAT Local Mount R800-RBAT Remote Mount

Features and Benefits:

- ✓ Magnetic Pickup Input, Contact Closure Input, DC Pulse Input.
- ✓ 20 point linearization.

R800 – SPECIFICATIONS

Power Supply:	One C Size Lithium Battery Pack
Accuracy:	0.01% Reading \pm 1 Count
Operating Temperature:	-4° F to +158° F (-20° C to +70° C)
Pulse Output:	Isolated Photomos Relay
Display:	5-digit Rate; 8-digit Totalizer

ENCLOSURE APPROVALS



NEMA
4X



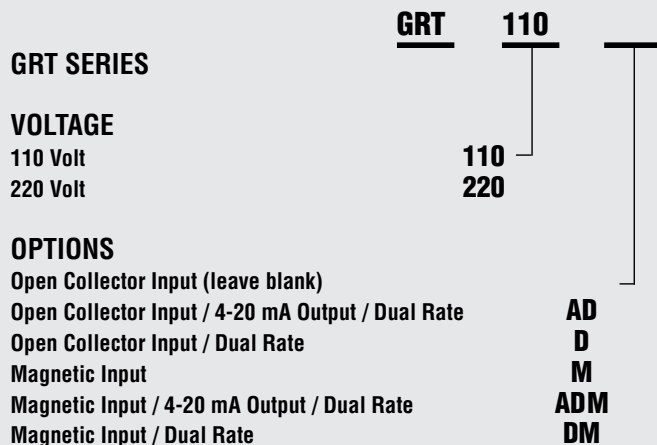
GRT – SPECIFICATIONS

Display:	6-digit, 0.55" High LED
Input Signal:	Hall Effect, Reed Switch or Open Collector (NPN)
Output Power:	(AC powered units only) +12 VDC @ 50 mA
Memory:	EEPROM stores data for 10 years if power is lost.
Outputs:	Two; N.O. Relays: 5 amps 120/240 VAC or 28 VDC. 4-20 mA or 0-20 mA
K-Factor:	5-digit K-Factor dividers from 0.0001 - 99999
Presets:	Two control outputs; 0.1 to 99.9 sec. or latch (0 sec)
Temperature:	Operating: +32° F to +130° F (0° C to +54° C)
Securing Lockout:	User selected 5-digit code
Front Panel:	NEMA 4X / IP65
Model Numbers:	See chart below

APPROVALS



GRT MODEL NUMBERING SYSTEM



ENCLOSURES FOR GBM & GRT SERIES CONTROLLERS



GRT shown here in enclosure.

EN4X-2: Enclosure has two pre-drilled holes (0.875 in.)
 EN4X: Enclosure has no factory drilled holes

"Great Choice For Net Use."



The GRT is a 6-digit Totalizer/Ratemeter with two-level, 5-digit preset alarm control of Total or Rate. Inputs A & B have separate scaling K-factors. The totalizer can be programmed for "A" subtract "B", "A" add "B" or A & B as separate totalizers, with display and control of the "net" total and rate of "A". If only one input is required, the unit will display the total and rate from that one channel. The GRT can accept up to 10,000 pulses per second. It has a 5-digit floating decimal scale factor allowing total readout in true engineering units and rate per second, minute or hour.

Input "A" simultaneously drives a ratemeter which can be programmed to display the basic frequency (rate per second) or factored to show rate per minute or rate per hour. Simply push the "VIEW" button to see either total or rate without losing a count. Two separate 5 A relay contacts can be set to operate at either rate or total presets in a latch or auto-recycle mode with output timing from 0.1 to 99.9 seconds.

Two control outputs can be assigned to either the totalizer or ratemeter and can automatically recycle at the batch or stay latched until reset.

When two inputs are received (A & B), the unit can either add or subtract the two inputs or display the two inputs as separate totalizers.

Features and Benefits:

- ✓ Separate scaling factors for A & B inputs.
- ✓ Separate add/subtract simultaneous inputs.
- ✓ Two Relays.
- ✓ 110 or 220 AC power or 12-15 VDC.



Featuring 8 digits of bright, .55 inch, alphanumeric display, the GBT can accept up to 20,000 pulses per second of digital count. The standard unit has two separate, 8-digit floating decimal, "K" factors to convert the inputs to meaningful total and rate data. The user, with the push of a button, can toggle back and forth to view the total of the batch, the rate of flow or the grand total of flow.

The GBT may be thought of as two separate counters and a ratemeter. The "batching" counter counts to prewarn and preset numbers entered by the user and enables separate control outputs. The "totalizing" counter gives a cumulative reading or grand total.

Finally, the ratemeter counts the number of pulses per second and, with its scaling feature, can provide gallons per minute or any other rate measurement without the totalizer losing counts. At any time, the user may view the total, the grand total or the rate while never interrupting the counting process.

Setup is done through the front panel and the menu driven software in the unit. Start-Stop control can be activated via the front panel buttons or remote inputs.

The unit operates from either 110 VAC/12 to 27 VDC or optional 220 VAC/12 to 27 VDC. If AC power is used, two built-in regulated 12 VDC @ 100 mA power supplies are offered. They can be connected to provide +12 VDC and -12 VDC or +24 VDC to drive external devices. CMOS Logic is used to provide high noise immunity and low power consumption with EEPROM to hold data a minimum of 10 years if power is interrupted.

Features and Benefits:

- ✓ Two setpoints for two-stage valve control.
- ✓ Scaled pulse output – NPN.
- ✓ 110 or 220 AC power or 12-27 VDC.

GBT – SPECIFICATIONS

Display:	Lighted 8-digit, 0.55" High, 15 segment, red-orange LED
Input Signal:	Hall Effect, Reed Switch or Open Collector (NPN)
Output Power:	(AC powered units only) +12 VDC @ 100 mA
Memory:	EEPROM stores data for 5 years if power is lost.
Control Outputs:	Two.; SPDT Relays: 10 amps 120/240 VAC or 28 VDC.
K-Factor:	8-digit K-Factor dividers from 0.0001 - 99999999
Temperature:	Operating: +32° F to +130° F (0° C to +54° C)
Securing Lockout:	User selected 4-digit code
Front Panel:	NEMA 4X / IP65
Models:	GBT110 or GBT220

NOTE: Does not accept Sine Wave pulse.

APPROVALS



GBM – SPECIFICATIONS

Display:	6-digit, 0.55" High LED
Input Signal:	Hall Effect, Reed Switch or Open Collector (NPN)
Output Power:	(AC powered units only) +12 VDC @ 100 mA
Memory:	EEPROM stores data for 10 years if power is lost.
Control Outputs:	Two.; SPDT Relays: 5 amps 120/240 VAC or 28 VDC.
K-Factor:	8-digit K-Factor dividers from 0.0001 - 99999999
Temperature:	Operating: +32° F to +130° F (0° C to +54° C)
Securing Lockout:	User selected 4-digit code
Front Panel:	NEMA 4X / IP65
Models:	GBM110, GBM110-M, GBM220 and GBM220-M

NOTE: Does not accept Sine Wave pulse.

APPROVALS



ENCLOSURES FOR GBM & GRT SERIES CONTROLLERS



GRT shown here in enclosure.

EN4X-2: Enclosure has two pre-drilled holes (0.875 in.)
 EN4X: Enclosure has no factory drilled holes



This miniature batcher is great for basic batching functions. The display shows Batch, Rate and Grand Total. The Start and Stop buttons make batching simple.

This is a great choice for daily batching of the same amount of product every time. With just a push of a button, this controller will open your solenoid valve, count the total volume being dispensed and then close your solenoid valve at a preprogrammed amount.

This unit operates from either an Open Collector or Magnetic input.

Features and Benefits:

- ✓ Works with GPI Turbine and Oval Gear Meters that provide pulse.
- ✓ Available in both 110- and 220-volt models.
- ✓ The 6-digit LED shows both Batch and Grand Totals on an easy-to-read screen.
- ✓ Prewarn and Preset Relays for control (2 stage batching process).
- ✓ 5 digit scaling factor.
- ✓ Pulse Input - 10 kHz maximum.
- ✓ Security lockout.
- ✓ Panel Mount – NEMA 4X / IP65 front panel.

METER APPLICATION GUIDE

Need help with choosing the right meter? Copy this form and fill out the information. Submit the form to GPI to determine the best product for your application.

Fax: 316-686-6746
Phone: 316-686-7361
Toll Free: 888-996-3837

Company: _____ Contact: _____

Address: _____ Phone: _____

City/State/Zip: _____ Fax: _____

Describe Metering Problem: _____

Fluid: _____ Viscosity: _____ @ _____ °F

Specific Gravity: _____ Density: _____

Particulate: No Yes Size _____

Air Elimination Req'd: No Yes

Pulsating Flow: No Yes

Flowrate (GPM): Min. _____ Nom. _____ Max. _____

Line Size: _____

Temperature (° F): Min. _____ Nom. _____ Max. _____

Pressure (psiG): Min. _____ Nom. _____ Max. _____

Pressure Drop: _____ Max. _____

Req'd Accuracy: _____ % of reading Repeatability: _____

SKETCH BASIC APPLICATION

Approved Wetted Materials: _____

Unusual Fluid Properties: _____

Display: No Yes Local Remote Both

Output: No Yes Pulse Current

Approvals Req'd: No Yes List _____

Chart of Approximate Viscosities of Common Liquids

Liquid	Viscosity in Centipoise @ 70°F	S S U Approximate
Sulfuric Acid	0.2	
Methyl Ethyl Ketone	0.4	
Water	1	
Milk	3	
Oil – Crude	15	80
Ethylene Glycol	16	80
Oil – Auto SAE 10	65	310
Oil – Corn	72	350
Oil – Auto SAE 20	125	585
Oil – Auto SAE 30	200	980
Varnish – Spar	420	2,050
Oil – Auto SAE 60	1,000	4,600
Honey	3,000	14,500
Ink	45,000	
Vaseline Petroleum Jelly	64,000	
Corn Syrup	110,000	

Component Materials

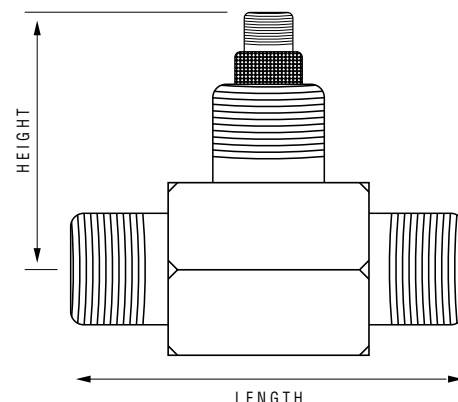
GPI offers Component Materials to assist with chemical compatibility. In some cases, trade names may be more common than the generic name. The cross reference chart here provides the generic material name and the corresponding trade name.

Generic Material Name	Trade Name
Acetal	Celcon or Delrin
Buna-N, NBR or Nitrile	Chemivic or Krynac
EPDM	Epcar
FKM or fluorocarbon	Fluorel or Viton
Nylon or polyamide	Zytel
PBT polyester	Valox
PEEK	Victrex
Perfluoroelastomer	Kalrez
Perfluoroelastomer	Chemraz
PET polyester	Rynite
Polyester film	Mylar
PPS	Ryton
PTFE	Teflon
PVDF	Kynar

G Series Precision Meters

Size	NPT and Flared Tubing		Sanitary Clamp		Flanged*	
	Length inches (mm)	Height inches (mm)	Length inches (mm)	Height inches (mm)	Length inches (mm)	Height inches (mm)
1/2 in.	2.75 (70)	2.56 (65)	2.75 (70)	2.56 (65)	—	—
3/4 in.	3.25 (82)	2.62 (66)	3.25 (82)	2.62 (66)	5.50 (140)	2.00 (51)
1 in.	3.56 (90)	2.75 (70)	3.56 (90)	2.75 (70)	5.50 (140)	2.12 (54)
1-1/2 in.	4.59 (116)	3.00 (76)	4.59 (116)	3.00 (76)	6.00 (152)	2.50 (63)
2 in.	6.06 (154)	3.25 (82)	6.06 (154)	3.25 (82)	6.50 (165)	3.00 (76)
3 in.	10.00 (254)	3.50 (89)	—	—	10.00 (254)	3.75 (95)

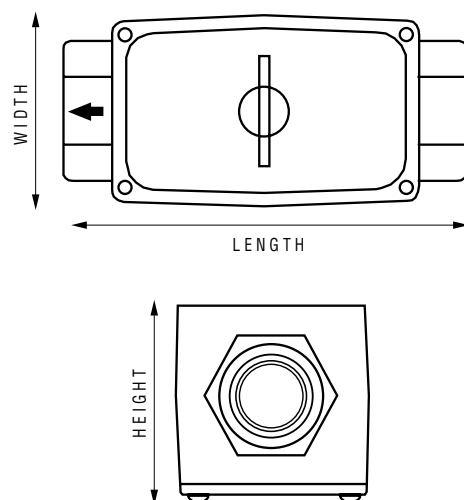
* Height on flange meters, measures from center line to top of flange.



G2 Series Industrial Grade Meters

Model	Length inches (mm)	Height inches (mm)	Width inches (mm)	Model	Length inches (mm)	Height inches (mm)	Width inches (mm)
A05	4.2 (107)	1.8 (46)	2.0 (51)	H20	6.3 (160)	3.2 (81)	3.3 (84)
A07	4.3 (109)	2.0 (51)	2.0 (51)	P05	7.3 (185)	3.2 (81)	2.1 (53)
A10	4.5 (114)	2.2 (56)	2.0 (51)	P10	8.1 (206)	3.3 (84)	2.8 (71)
A15	5.3 (135)	2.8 (71)	2.7 (68)	S05	4.2 (107)	1.8 (46)	2.0 (51)
A20	6.3 (160)	3.2 (81)	3.3 (84)	S07	4.3 (109)	2.0 (51)	2.0 (51)
B05	4.2 (107)	1.8 (46)	2.0 (51)	S10	4.5 (114)	2.2 (56)	2.0 (51)
B07	4.3 (109)	2.0 (51)	2.0 (51)	S15	5.3 (135)	2.8 (71)	2.7 (68)
B10	4.5 (114)	2.2 (56)	2.0 (51)	S20	6.3 (160)	3.2 (81)	3.3 (84)
B15	5.3 (135)	2.8 (71)	2.7 (68)	S10F	6.75 (171)	4.25 (108)	4.25 (108)
B20	6.3 (160)	3.2 (81)	3.3 (84)	S15F	8.0 (203)	5.0 (127)	5.0 (127)
C05	7.3 (185)	3.2 (81)	2.1 (53)	S20F	9.50 (241)	6.0 (152)	6.0 (152)
C10	8.1 (206)	3.3 (84)	2.8 (71)	S05T	5.0 (127)	2.0 (51)	1.8 (46)
H05	4.2 (107)	1.8 (46)	2.0 (51)	S07T	5.0 (127)	2.0 (51)	2.0 (51)
H07	4.3 (109)	2.0 (51)	2.0 (51)	S10T	5.5 (140)	2.0 (51)	2.2 (56)
H10	4.5 (114)	2.2 (56)	2.0 (51)	S15T	6.5 (165)	2.7 (68)	2.8 (71)
H15	5.3 (135)	2.8 (71)	2.7 (68)	S20T	7.0 (178)	3.3 (84)	3.2 (81)

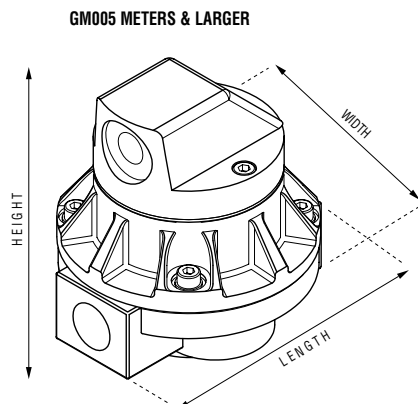
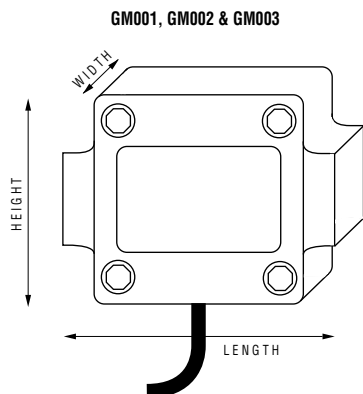
NOTE: 09 Display adds 1.1" (28 mm) to height.



NOTE: Dimensions are for reference only and may vary by model.

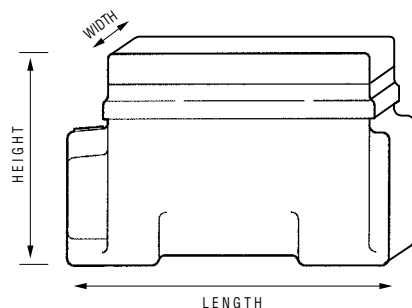
METER DIMENSIONS

GM Series Oval Gear Meters



Model	Length inches (mm)	Width inches (mm)	Height inches (mm)
GM001	2.58 (65)	1.97 (50)	1.81 (46)
GM002	2.58 (65)	1.97 (50)	1.81 (46)
GM003	2.58 (65)	1.97 (50)	1.81 (46)
GM005	3.94 (100)	3.78 (96)	4.13 (105)
GM006	5.24 (133)	4.41 (112)	4.96 (126)
GM007	4.25 (108)	3.94 (100)	4.72 (120)
GM010	5.24 (133)	4.41 (112)	5.43 (138)
GM015	5.91 (150)	5.67 (144)	6.42 (163)
GM020	9.45 (240)	7.01 (178)	7.40 (188)
GM505	3.94 (100)	4.41 (112)	4.92 (125)
GM510	5.24 (133)	4.41 (112)	6.18 (157)
GM515	9.45 (240)	7.01 (178)	8.07 (205)
GM520	9.45 (240)	7.01 (178)	8.07 (205)

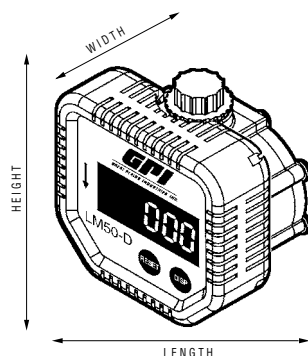
A1 Series Meters



Model	Length inches (mm)	Height inches (mm)	Width inches (mm)
A025	4.0 (102)	2.5 (63)	2.0 (51)
A100	4.0 (102)	2.5 (63)	2.0 (51)
A200	6.0 (152)	4.5 (114)	3.0 (76)
N025	4.0 (102)	2.5 (63)	2.0 (51)
N100	4.0 (102)	2.5 (63)	2.0 (51)

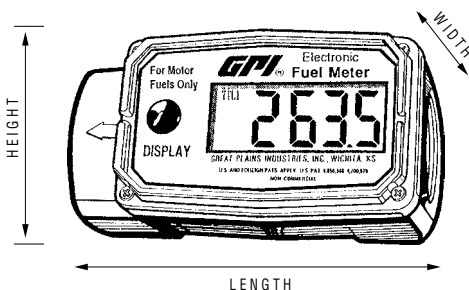
Economy Meters

LM Series



Model	Length inches (mm)	Height inches (mm)	Width inches (mm)
LM50DN	3.52 (89)	3.15 (80)	2.24 (57)

01 Series



Model	Length inches (mm)	Height inches (mm)	Width inches (mm)
01A	4.0 (102)	2.5 (63)	2.0 (51)
01N	4.0 (102)	2.5 (63)	2.0 (51)

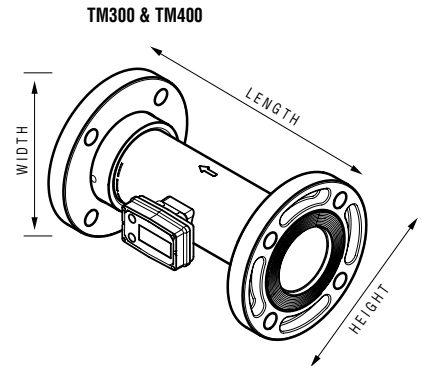
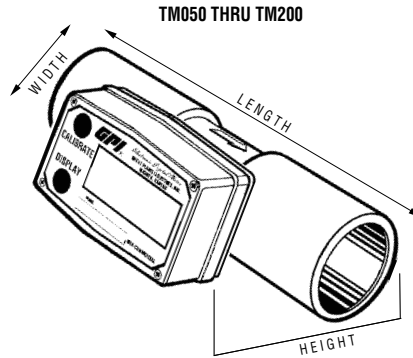
NOTE: Dimensions are for reference only and may vary by model.

TM Meters

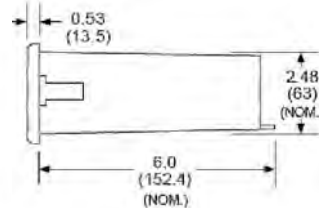
Model	Length* inches (mm)	Height** inches (mm)	Width inches (mm)
TM050	3.8 (96)	2.6 (66)	2.0 (51)
TM050-N	5.8 (147)	2.6 (66)	2.0 (51)
TM075	3.8 (96)	2.7 (68)	2.0 (51)
TM075-N	5.8 (147)	2.7 (68)	2.0 (51)
TM100	4.1 (104)	3.1 (79)	2.0 (51)
TM100-N	6.1 (155)	3.1 (79)	2.0 (51)
TM150	5.4 (137)	3.7 (94)	2.1 (53)
TM150-N	7.4 (188)	3.7 (94)	2.1 (53)
TM200	5.5 (140)	4.2 (107)	2.4 (61)
TM200-N	7.5 (190)	4.2 (107)	2.4 (61)
TM300 (Spigot)	11.5 (292)	5.34 (136)	3.5 (89)
TM400 (Spigot)	13.5 (343)	6.34 (161)	4.5 (114)
TM300 (NPT)	14.7 (373)	5.78 (147)	4.37 (111)
TM400 (NPT)	17.0 (432)	6.76 (172)	5.34 (136)
TM300 (Flange)	12.0 (305)	7.5 (190)	7.5 (190)
TM400 (Flange)	14.0 (356)	9.0 (229)	9.0 (229)

* Length guidelines are estimates; actual length can vary up to $\pm 1/2"$.

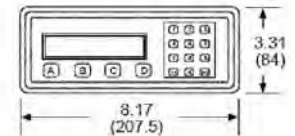
** Computer display adds 1.1" (28 mm) to height.



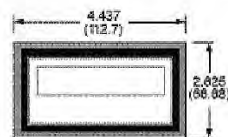
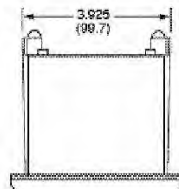
Model	Depth inches (mm)	Height inches (mm)	Width inches (mm)
GBT	6.53 (165)	3.31 (84)	8.17 (207)



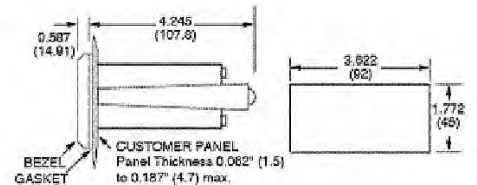
GBT Controller



Model	Depth inches (mm)	Height inches (mm)	Width inches (mm)
GBM & GRT	4.8 (122)	2.8 (71)	4.4 (112)



GBM & GRT Series Controllers



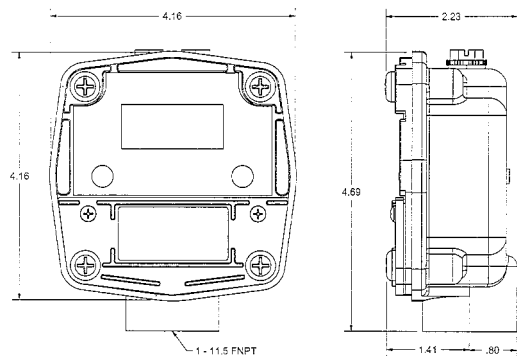
NOTE: Dimensions are for reference only and may vary by model.

METER DIMENSIONS

Electronic Choice - Local & Remote

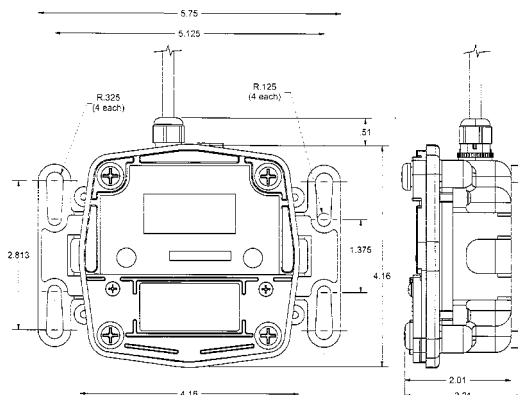
(Dimensions can vary by model.)

Local Model



Length inches (mm)	Height inches (mm)	Width inches (mm)
2.23 (57)	4.69 (119)	4.16 (106)

Remote Model



Length* inches (mm)	Height † inches (mm)	Width* inches (mm)
2.21 (56)	4.67 (119)	5.75 (146)

- * Includes Mounting Bracket
- † Includes Strain Relief

NOTE: Dimensions are for reference only and may vary by model.

Y STRAINERS FOR OVAL GEAR METERS

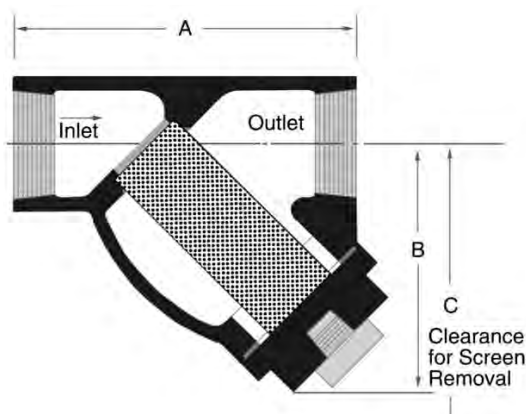
REFERENCE

Y STRAINER – SPECIFICATIONS

Blow-off Fitting:	1/4 inch:	1/4" NPT
	1/2 inch:	1/4" NPT
	3/4 inch:	1/4" NPT
	1 inch:	1/2" NPT
	1-1/4 inch:	1/2" NPT
	1-1/2 inch:	1/2" NPT
	2 inch:	1/2" NPT
Screen Standard:	1/4 inch:	200 mesh
	1/2 inch:	60 mesh
	3/4 inch:	60 mesh
	1 inch:	60 mesh
	1-1/4 inch:	60 mesh
	1-1/2 inch:	60 mesh
	2 inch:	60 mesh
Screen Opening (inch):	1/4 inch:	0.011"
	1/2 inch:	0.032"
	3/4 inch:	0.032"
	1 inch:	0.032"
	1-1/4 inch:	0.032"
	1-1/2 inch:	0.032"
	2 inch:	0.032"
Shipping Weight:	1/4 inch:	4 lbs.
	1/2 inch:	4 lbs.
	3/4 inch:	5 lbs.
	1 inch:	6 lbs.
	1-1/4 inch:	8 lbs.
	1-1/2 inch:	10 lbs.
	2 inch:	18 lbs.

PART NUMBERS & DIMENSIONS

Part Number	Size	A	B	C
125700-01	1/4 inch:	3-1/4"	2-3/16"	3"
125700-02	1/2 inch:	3-1/4"	2-3/16"	3"
125700-03	3/4 inch:	3-5/8"	2-3/4"	3-1/4"
125700-04	1 inch:	4-1/4"	3-3/16"	4-1/8"
125700-05	1-1/4 inch:	5-1/4"	3-7/8"	5"
125700-06	1-1/2 inch:	6-1/4"	4-3/4"	5-7/8"
125700-07	2 inch:	7-5/8"	6"	8-1/8"



Oval Gear Meters work best with clean fluid, free of debris. GPI carries Y Strainers to fit most models of Oval Gear Meters. These strainers range from 1/4 in. to 2 in. models. All sizes come complete with blow-off and plug.

Select Your Strainer Size:

1/4 inch 1/2 inch 3/4 inch 1 inch
1-1/4 inch 1-1/2 inch 2 inch



Features and Benefits:

- ✓ Machined, tapered seat ensures a perfect fit for the removable, 316 Stainless Steel screen.
- ✓ 316 Stainless Steel body and all screens are 316 Stainless Steel.
- ✓ All sizes come complete with blow-off and plug. These can be replaced with ball valve for on-line blow-down of particulate.
- ✓ Rated for up to 1480 PSI at 100° F for water, oil or gas.
- ✓ Female NPT threads.

CHEMICAL COMPATIBILITY GUIDE

Chemical Compatibility Guide for GPI Flowmeters

R = Recommended
N = Not Recommended
X = Unknown or Not Applicable

	Metals						Plastics								Journals, Shafts				O-Rings						
	Bronze	Aluminum	Brass	304 SS	316 SS	CD4MCu	PVC	PBT Polyester (Valox)	Nylon 6,6	Acetal (Delrin)	PPS (Ryton)	PVDF (Kynar)	Rulon 641	PEEK	Carbon - Graphite	Ceramic / Sapphire	Tungsten Carbide	Ferrite (MnZn)	Hastelloy-C	FKM/Fluorocarbon (Viton)	PTFE (Teflon)	EPDM	Buna-N (Nitrile)	Perfluoroelastomer (FFKM)	
Acetic Acid	N	R	N	N	R	R	N	X	N	N	R	N	R	R	R	R	N	X	R	R	R	R	N	R	
Acetone	R	R	R	R	R	R	N	N	R	R	R	N	R	R	R	R	R	R	R	R	N	R	R	N	R
Alcohols: Isobutyl	R	R	X	R	R	R	R	X	X	R	X	X	R	R	R	R	R	X	R	R	R	R	R	R	
Alcohols: Isopropyl	R	R	X	R	R	R	R	R	R	R	X	X	R	R	R	R	R	R	R	R	R	R	R	R	
Alcohols: Methyl	R	R	R	R	R	R	R	X	R	R	R	R	R	R	R	R	R	R	R	R	N	R	R	R	
Ammonia, Anhydrous	N	R	N	R	R	R	R	X	X	N	R	R	R	R	X	R	R	X	R	N	R	R	R	R	
Ammonia, Liquid	N	R	X	R	R	R	R	X	R	N	R	R	R	R	R	R	R	X	R	N	R	R	N	R	
Ammonium Hydroxide	N	R	N	R	R	R	R	N	N	N	R	R	R	R	R	R	N	R	R	R	R	R	N	R	
Antifreeze	R	R	X	X	R	X	R	X	X	N	X	X	X	R	X	R	R	R	X	R	X	R	R	R	
Boric Acid	R	N	X	R	R	R	R	R	R	R	R	R	R	X	R	R	R	R	R	R	R	R	R	R	
Butyl Acetate	R	R	R	R	R	R	N	R	R	R	R	R	R	R	R	R	R	R	R	N	R	R	N	R	
Calcium Chloride	R	N	X	N	R	R	N	X	R	N	R	R	R	R	R	R	R	R	R	R	R	R	R	R	
Calcium Hypochlorite	N	N	X	N	R	R	R	X	X	N	R	R	R	R	R	R	N	R	R	R	R	R	N	R	
Carbon Tetrachloride (wet)	R	N	R	R	R	R	X	X	X	R	R	R	R	X	R	R	X	X	R	X	R	N	N	R	
Carbonic Acid	R	R	N	R	R	R	R	X	R	R	R	R	R	R	R	R	R	X	R	R	R	R	N	R	
Chlorine Water	R	N	N	N	N	R	R	X	N	N	N	R	R	N	R	X	R	R	R	R	R	N	N	R	
Chlorine, Anhydrous Liquid	N	N	N	N	N	N	N	X	X	R	N	R	R	N	R	N	X	N	N	R	R	R	N	R	
Clorox® Bleach (Sodium Hypochlorite)	X	N	X	R	R	R	R	R	N	N	N	R	R	R	X	R	N	X	R	R	R	R	N	R	
Detergents	R	R	X	R	R	R	R	R	R	R	R	R	R	R	R	R	X	R	R	R	R	R	R	R	
Diesel Fuel	R	R	R	R	R	R	R	R	R	R	R	R	R	R	R	R	R	R	R	R	R	N	R	R	
Ethanol	R	R	R	R	R	R	N	X	R	R	X	X	R	R	R	R	R	X	R	R	R	R	N	R	
Ethylene Dichloride	N	R	R	R	R	R	N	X	X	R	R	R	R	R	R	R	R	X	R	R	R	N	N	R	
Ethylene Glycol	R	R	R	R	R	R	R	R	R	R	R	R	R	R	R	R	R	R	R	R	R	R	R	R	
Ferric Chloride	N	N	N	N	N	R	R	X	N	N	R	R	R	R	R	R	N	X	R	R	R	R	R	R	
Freon 113	X	X	X	X	X	R	R	X	X	R	R	R	R	R	X	R	R	R	R	R	R	N	R	R	
Fuel Oils (#1 and #2)	R	R	R	R	R	R	R	R	R	R	R	R	R	R	R	R	R	X	R	R	R	N	R	R	
Gasoline, Unleaded	R	R	X	R	R	R	N	R	R	R	R	R	R	R	R	R	R	R	R	R	R	N	R	R	
Heptane	R	R	R	R	R	R	N	X	X	R	R	R	R	R	R	R	R	X	R	R	R	N	R	R	
Hydraulic Oil (Petro)	R	R	R	R	R	R	R	R	X	R	N	R	R	R	R	R	R	R	R	R	R	N	R	R	
Hydraulic Oil (Synthetic)	R	R	R	R	R	R	R	R	X	X	X	R	R	R	R	R	R	R	R	R	R	R	N	R	
Hydrochloric Acid 20%	N	N	X	N	N	R	R	R	N	N	N	R	R	N	R	N	N	R	R	R	R	N	X	R	
Hydrochloric Acid 37%	N	N	X	N	N	R	R	X	N	N	N	R	R	R	R	N	N	R	R	R	R	R	R	R	
Hydrochloric Acid 100%	N	N	N	N	N	R	N	N	N	N	N	R	R	R	R	R	N	R	R	R	R	N	N	R	
Hydrofluoric Acid 20%	R	N	X	N	N	R	R	R	N	N	R	R	R	N	X	N	N	R	R	R	R	N	N	R	
Hydrofluoric Acid 100%	R	N	X	R	R	R	N	N	N	N	N	R	R	N	R	N	N	R	R	R	R	N	N	R	
Hydrogen Peroxide 10%	R	R	X	R	R	R	R	R	N	N	R	R	R	R	N	R	N	R	R	R	R	R	N	R	
Hydrogen Peroxide 30%	R	R	X	R	R	R	R	X	N	N	R	R	R	R	N	X	N	R	R	R	R	R	N	R	
Hydrogen Peroxide 100%	R	R	N	R	R	R	R	X	N	N	N	R	R	R	N	X	N	R	R	R	R	N	N	R	
Isopropyl Acetate	R	N	X	N	R	R	N	X	X	N	X	N	R	R	R	R	R	X	R	N	R	R	N	R	
Kerosene	R	R	R	R	R	R	R	R	R	R	R	R	R	R	R	R	R	R	R	R	R	N	R	R	
Ketones	R	R	X	R	R	R	N	X	X	N	R	N	R	R	R	R	R	X	R	N	R	R	N	R	

CHEMICAL COMPATIBILITY GUIDE

Chemical Compatibility Guide for GPI Flowmeters

R = Recommended
N = Not Recommended
X = Unknown or Not Applicable

	Metals						Plastics								Journals, Shafts				O-Rings					
	Bronze	Aluminum	Brass	304 SS	316 SS	CD4MCu	PVC	PBT Polyester (Valox)	Nylon 6.6	Acetal (Delrin)	PPS (Ryton)	PVDF (Kynar)	Rulon 641	PEEK	Carbon - Graphite	Ceramic / Sapphire	Tungsten Carbide	Ferrite (MnZn)	Hastelloy-C	FKM/Fluorocarbon (Viton)	PTFE (Teflon)	EPDM	Buna-N (Nitrile)	Perfluoroelastomer (FFKM)
Lacquer Thinners	R	R	R	R	R	R	N	X	X	N	X	X	R	X	R	X	R	X	R	N	R	N	N	R
Lacquers	R	R	X	R	R	R	N	X	X	N	X	N	R	R	R	R	R	X	R	N	R	N	N	R
Lye: NaOH Sodium Hydroxide	N	N	N	R	R	N	R	X	X	N	R	N	R	R	X	R	R	X	N	R	R	R	R	R
Magnesium Hydroxide	R	N	N	R	R	R	R	X	R	R	R	R	R	R	R	R	R	X	R	R	R	R	R	R
Methanol (Methyl Alcohol)	R	R	R	R	R	R	R	X	R	R	R	R	R	R	R	R	R	R	R	N	R	R	R	R
Methyl Ethyl Ketone	R	R	R	R	R	R	N	R	R	N	R	N	R	R	R	R	X	R	R	N	R	R	N	R
Motor Oil	R	R	X	R	R	X	R	R	R	R	R	R	R	R	R	R	R	R	X	X	R	N	R	R
Nitrating Acid (> 15% H2SO4)	X	N	X	N	N	R	N	X	X	N	N	X	R	N	X	R	N	X	R	X	R	R	N	R
Nitric Acid (5-10%)	R	R	N	R	R	R	R	X	R	N	R	R	R	N	R	N	N	X	R	R	R	R	N	R
Nitric Acid (50%)	R	N	N	R	R	R	R	X	N	N	N	R	R	N	R	N	N	N	R	R	R	N	N	R
Nitric Acid (Concentrated)	R	N	N	R	R	R	R	R	N	N	N	R	R	N	N	N	N	N	R	R	R	N	N	R
Oils: Fuel (1, 2, 3, 5A, 5B, 6)	R	N	R	R	R	R	R	X	R	N	R	R	R	R	R	R	R	X	R	R	R	N	R	R
Oils: Hydraulic Oil (Petro)	R	R	R	R	R	R	R	R	R	R	N	R	R	R	R	R	R	X	R	R	R	N	R	R
Oils: Mineral	R	R	R	R	R	R	R	R	R	R	R	R	R	R	R	R	R	R	R	R	R	N	R	R
Oils: Transformer	X	R	X	R	R	X	R	R	X	R	X	R	R	R	R	R	R	X	X	R	R	N	R	R
Phosphoric Acid (< 40%)	R	N	N	N	N	R	R	X	N	N	R	R	R	R	R	R	N	N	R	R	R	R	N	R
Phosphoric Acid (> 40%)	R	N	N	N	N	R	R	X	N	N	R	R	R	R	R	R	N	X	R	R	R	R	N	R
Potassium Chloride	R	N	N	R	R	R	R	R	R	R	R	R	R	R	R	R	N	X	R	R	R	R	R	R
Potassium Hydroxide (Caustic Potash)	N	N	N	R	R	R	R	N	R	R	R	R	R	R	N	N	N	R	R	R	R	R	R	R
Potassium Hypochlorite	N	N	X	N	R	R	R	X	X	X	R	R	R	X	X	N	N	X	R	X	R	R	R	R
Propane (Liquefied)	R	R	R	R	R	R	R	X	R	R	X	R	R	R	R	R	R	X	R	R	R	N	R	R
Propylene Glycol	R	R	X	R	R	R	N	R	R	R	X	X	R	R	X	R	R	R	R	R	R	R	R	R
Salt Brine (NaCl Saturated)	R	R	X	R	R	R	R	X	X	X	R	R	R	R	R	X	N	X	R	R	R	R	R	R
Sea Water	R	R	N	N	N	R	R	R	X	R	R	R	R	R	R	R	N	X	R	R	R	R	R	R
Soap Solutions	R	N	R	R	R	R	R	X	R	R	R	R	R	R	R	R	R	R	R	R	R	R	R	R
Sodium Bicarbonate	R	N	N	R	R	R	R	R	X	R	R	R	R	R	R	R	R	R	R	R	R	R	R	R
Sodium Chloride	R	N	N	R	R	R	R	R	R	R	R	R	R	R	R	R	N	R	R	R	R	R	R	R
Sodium Hydroxide (20%)	R	N	R	R	R	R	R	X	R	R	R	R	R	R	R	R	N	X	R	N	R	R	R	R
Sodium Hydroxide (50%)	N	N	N	R	R	N	R	X	R	R	R	R	R	R	X	R	N	X	N	N	R	R	R	R
Sodium Hydroxide (80%)	N	N	N	N	R	R	R	N	R	N	R	R	R	R	R	R	N	N	R	N	R	R	N	R
Sodium Hypochlorite (< 20%)	N	N	N	N	N	R	R	X	N	N	R	R	R	R	R	R	N	R	R	R	R	R	R	R
Sodium Hypochlorite (100%)	N	N	N	N	N	R	R	X	N	N	R	R	R	R	N	R	N	R	R	R	R	R	N	R
Sulfuric Acid (< 10%)	R	N	X	N	R	R	R	X	N	N	R	R	R	R	R	R	N	X	R	R	R	R	R	R
Sulfuric Acid (75-100%)	R	N	X	N	N	R	N	X	N	X	R	R	R	N	N	R	N	N	R	R	R	R	N	R
Toluene (Toluol)	R	R	R	R	R	R	N	N	R	N	R	R	R	R	R	R	R	R	R	N	R	N	N	R
Trichloroethylene	R	N	X	R	R	R	N	X	R	N	R	R	R	R	R	X	R	R	R	R	R	N	N	R
Vinegar	R	N	N	R	R	R	R	R	N	R	R	R	R	R	R	R	R	R	R	R	R	R	R	R
Water, Deionized	X	N	R	R	R	R	R	X	X	X	R	R	R	X	R	R	X	X	R	R	R	R	R	R
Water, Distilled	R	N	R	R	R	R	R	R	X	R	R	R	R	R	R	R	R	X	R	R	R	R	R	R
Water, Salt	R	N	N	R	R	R	R	X	X	R	R	R	R	R	R	R	R	X	R	R	R	R	R	R
Xylene	R	R	R	R	R	R	N	N	R	R	R	R	R	R	R	R	R	X	R	R	R	N	N	R

APPROVALS GUIDE

At Great Plains Industries, we've been building rugged, reliable, liquid flowmeters for over 35 years. The GPI Industrial Meter family includes a full line of Precision and Industrial Turbine meters plus Oval Gear meters in various materials, sizes and fitting options.

We design products to meet the needs of our customers. This includes maintaining appropriate, industry standard approvals. Approvals vary by product line and may be dependent on meter application. For example, Oval Gear Meter approvals are dependent on application as outlined below.

The Approval symbol is listed under product specifications on individual product pages. If no approval mark is found, check the chart below. For details about specific "Approvals" refer to the chart.

<p>3-A</p>	<p>3-A Sanitary Standards, Inc. "Flowmeters for Milk and Milk Products, Number 28-03" for GSCPS Models and L Option Meters.</p>
<p>ATEX</p>	<p>ATEX ANNEX VIII II 3 G Equipment Group II (other than mines); Category 3 (for zone 2); G (for gases, vapors and mist).</p>
<p>CE</p>	<p>Product reviewed for EMC Directive 89/336/EEC or 89/392/EEC. Includes: Euro Norms 50081-1 and 50082-1 on A1 and G2 Series Meters. Note: For Oval Gear Meters, the CE Approval is applied when meter is part of a system.</p>
<p>cUL</p>	<p>Underwriters Laboratories - cUL Classified by UL to Canadian Standard C22.2 No. 157-92 and Canadian Electrical Code, Part 1 as Intrinsically Safe for Class I, Groups A, B, C & D; Class II, Groups E, F & G and Class III.</p>
<p>Ex</p>	<p>EEx nL IIC T4 U Per Euro Norm 50021.</p>
<p>FM APPROVED</p>	<p>Factory Mutual Approved Intrinsically Safe for Class I, II, III, Division 1, All Groups. Nonincendive for Class I, II, III, Division 2 Groups A, B, C, D, F, G.</p>
<p>FC</p>	<p>Federal Communication Commission Industry Canada Approval Class B; digital service, part 15 of FCC Rules.</p>
<p>IP44/IP54/IP66</p>	<p>Ingress Protection Code IP44 (Greater than 1 mm and splashed water); IP54 (Dust protected and splashed water); IP66 (Dust-tight and heavy seas).</p>
<p>IP/NEMA</p>	<p>Pulse versions of Oval Gear Meters have enclosure ratings that vary from IP54 / NEMA 13 to IP66 / NEMA 16 depending on the application.</p>
<p>NEMA 4</p>	<p>NEMA Requirements: Enclosure constructed for indoor or outdoor use to provide a degree of protection to personnel against incidental contact with the enclosed equipment. Protection against falling dirt, rain, sleet, snow, windblown dust, splashing or hose directed water that will be undamaged by the external formation of ice on the enclosure. <i>GPI products are tested to NEMA requirements.</i></p>



Flowmeter performance can be critical to customers in the field. All flowmeters produced by GPI are quality tested at the factory. We adhere to the strictest testing procedures. We take pride in the performance of our meters and want customers to rest assured, they have purchased one of the best.

Determining flowmeter performance is important to us, so we take extra efforts when it comes to performance testing. Although there are various methods for establishing performance, we use some of the most stringent methods available.

GPI calibration equipment includes primary and secondary standards that are NIST traceable. Primary standards include ballistic calibrators and weight calibration stands.

So when Performance and Repeatability count, ***COUNT on GPI.***



Providing Quality Meters Worldwide



GREAT PLAINS INDUSTRIES, INC.

5252 East 36th Street North • Wichita, KS USA 67220-3205

TEL: 888-996-3837 or 316-686-7361 • FAX: 316-686-6746

“A Great Plains Ventures Subsidiary.”

www.gpimeters.net



twitter



GPI is a registered trademarks of Great Plains Industries, Inc.

The color red for the Q1A Series Meter is a registered trademark owned by Great Plains Industries, Inc.

The color blue for the G2 and TM Series Meters is a registered trademark owned by Great Plains Industries, Inc.

The color silver for the A1 Aluminum Meter is a registered trademark owned by Great Plains Industries, Inc.