

The professional solenoid valve manufactory

www.solenoidvalve.vn

Sanlixin[®]

SOLENOID VALVES



CE RoHS



SLA 2/2-Way Pilot Operated Piston Solenoid Valve · Normally Closed

● The Professional Solenoid Valves Manufactory

- 1:** 2-Way normally closed solenoid valve; Closed when de-energized, open when energized.
- 2:** Body material: brass
- 3:** Max. Allowable pressure 40kgf/cm²;
Ambient Temp. 0°C~65°C (F CLASS) , 0°C~80°C (H CLASS)
- 4:** Serialized products, small in size, large flow rate, widely use.
- 5:** Flow as the arrow, mounts in any position; Best position is Solenoid vertical and upright direction.
- 6:** Voltage: 220VAC/230VAC/240VAC/110VAC/24VAC 50/60HZ 24VDC/12VDC;
Voltage Tolerance: + 10% to -10%applicable voltage.
- 7:** Coil can fix Germany NASS Coil,Standard storage: 220VAC/230VAC/240VAC 50/60HZ 24V
- 8:** This series valves are offered Teflon for Seals to provide on-off control of various fluids.



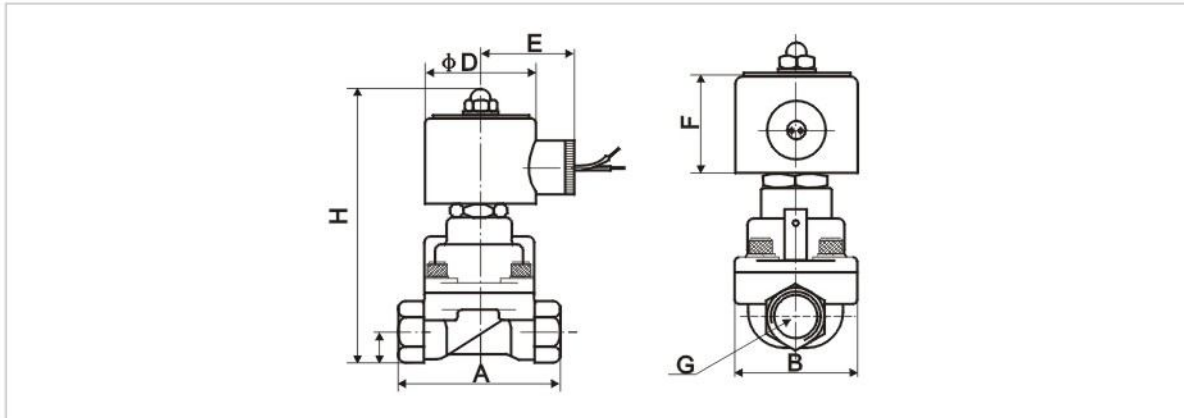
Normally Closed

De-energized

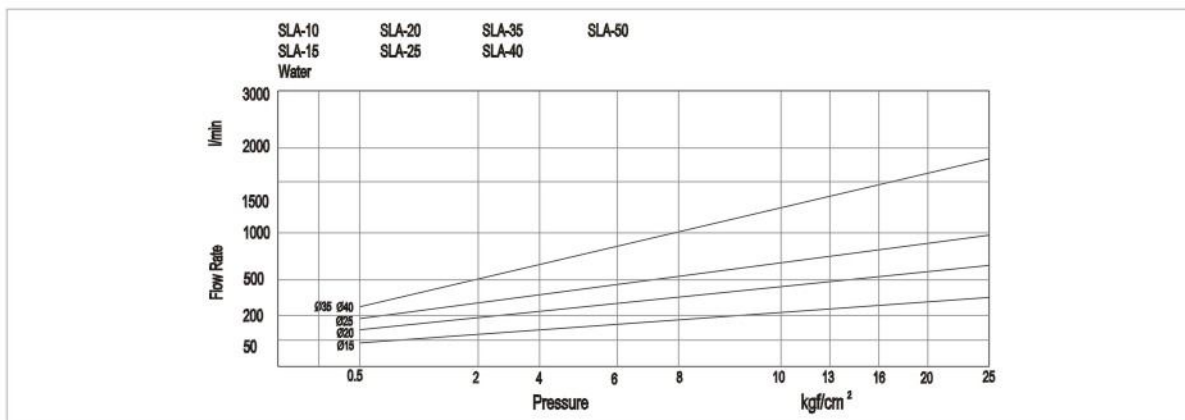
Energized



Construction, External Dimensions Chart



Flow Chart



SLA 2/2-Way Pilot Operated Piston Solenoid Valve • Normally Closed

●The Professional Solenoid Valves Manufactory

Valve Selection List

Pipe Conn- ection	Orifice mm	CV Factor	Operating pressure differential (kgf/cm ²)								Max. Fluids Temp.	Coil Type	Power consumption		Coil Class	External Dimensions Length xWidth x Height A x B x H	Weight KG	Model Code Follows Voltage are 220VAC 50/60HZ	
			Min.	Max.									VA AC 220 V	W DC 24 V					
				Air Gas		Water Hot water Liquids		Light oil		Steam AC/ DC									
				AC	DC	AC	DC	AC	DC										
1/8"	2.5	0.23	0	8	8	8	8	6	6	10	180	S	22	13	H	48×25×85.5	0.45	SLA1SH02T1AC3	
	2.5	0.23	0	13	13	13	13	7	7		110	D	22	13	F	48×25×85.5	0.45	SLA1DF02V1AC3	
	2.5	0.23	0	13	13	13	13	5	5		135	D	22	13	H	48×25×85.5	0.45	SLA1DF02E1AC3	
	2.5	0.23	0	13	13	13	13	7	7		80	D	22	13	F	48×25×85.5	0.45	SLA1DF02N1AC3	
	4.5	0.6	0	7	4	7	4	4	4	7	165	S	22	13	H	58×25×85.5	0.55	SLA1SH02T1AC6	
	4.5	0.6	0	7	4	7	4	4	4		110	D	22	13	F	58×25×85.5	0.55	SLA1DF02V1AC6	
	4.5	0.6	0	7	4	7	4	4	4		135	D	22	13	H	58×25×85.5	0.55	SLA1DF02E1AC6	
1/4"	2.5	0.23	0	7	4	7	4	4	4	10	180	S	22	13	H	48×25×85.5	0.4	SLA1SH02T1BC3	
	2.5	0.23	0	13	13	13	13	7	7		110	D	22	13	F	48×25×85.5	0.4	SLA1DF02V1BC3	
	2.5	0.23	0	13	13	13	13	7	7		135	D	22	13	H	48×25×85.5	0.4	SLA1DF02E1BC3	
	2.5	0.23	0	13	13	13	13	7	7		80	D	22	13	F	48×25×85.5	0.4	SLA1DF02N1BC3	
	4.5	0.6	0	7	4	7	4	4	4	7	165	S	22	13	H	58×25×85.5	0.5	SLA1SH02T1BC6	
	4.5	0.6	0	7	4	7	4	4	4		110	D	22	13	F	58×25×85.5	0.5	SLA1DF02V1BC6	
	4.5	0.6	0	7	4	7	4	4	4		135	D	22	13	H	58×25×85.5	0.5	SLA1DF02E1BC6	
3/8"	15	4.5	0.5	25	20	25	20	20	20		110	D	33	32	F	75×52×129	1.25	SLA1DF02T1C15	
	15	4.5	0.5	25	20	25	20	20	20	10	185	W	30	25	H	75×52×129	1.25	SLA1WH02T1C15	
1/2"	15	4.5	0.5	25	20	25	20	20	20		110	D	33	32	F	75×52×129	1.2	SLA1DF02T1D15	
	15	4.5	0.5	25	20	25	20	20	20	10	185	W	30	25	H	75×52×129	1.2	SLA1WH02T1D15	
3/4"	20	9.0	0.5	25	20	25	20	20	20		110	D	33	32	F	85×60×141	1.5	SLA1DF02T1E20	
	20	9.0	0.5	25	20	25	20	20	20	10	185	W	30	25	H	85×60×141	1.5	SLA1WH02T1E20	
1"	25	13	0.5	25	20	25	20	20	20		110	D	33	32	F	100×70×148	1.9	SLA1DF02T1G25	
	25	13	0.5	25	20	25	20	20	20	10	185	W	30	25	H	100×70×148	1.9	SLA1WH02T1G25	
1 1/4"	35	26	0.5	25	20	25	20	20	20		110	D	33	32	F	120×90×168	3.6	SLA1DF02T1H35	
	35	26	0.5	25	20	25	20	20	20	10	185	W	30	25	H	120×90×168	3.6	SLA1WH02T1H35	
1 1/2"	35	26	0.5	25	20	25	20	20	20		110	D	33	32	F	120×90×168	3.5	SLA1DF02T1J35	
	35	26	0.5	25	20	25	20	20	20	10	185	W	30	25	H	120×90×168	3.5	SLA1WH02T1J35	
2"	45	45	0.5	25	20	25	20	20	20		110	D	33	32	F	150×110×190	4.5	SLA1DF02T1K50	
	45	45	0.5	25	20	25	20	20	20	10	185	W	30	25	H	150×110×190	4.5	SLA1WH02T1K50	