



CÔNG TY CP BẢO TRÌ KỸ THUẬT CÔNG NGHIỆP
Trụ sở: Lầu 1, số 788/51C Nguyễn Kiệm, P.3, Q.Gò Vấp, TP.HCM
Tel: 0866749689, 0913771002, Fax: 08.73000176.
Web site : <http://www.vandungong.com>, MST: 0305901954
Email: baotri.kythuat@gmail.com, info@vandungong.com

RESILIENT SEATED GATE VALVE OS&Y (KVS 400-B)



PRODUCT FEATURES

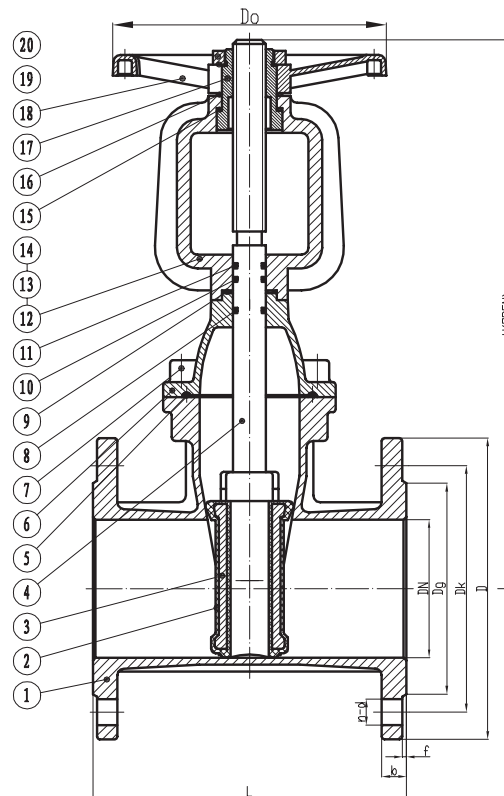
KVS 400-B resilient seated gate valve is designed with straight through bore type with rising stem, outside screw and yoke. Valve allows for two-way flow direction and used for closing or opening the medium flow. This valve can be installed in horizontal and vertical positions in the piping systems. It is widely used in process industries such as Refinery Plant, Fire Protection System and Cooling System, any fluid without acidity or alkalinity. Ductile iron body & bonnet.

- Ductile iron body & bonnet.
- Wedge of ductile iron fully rubberized with vulcanized EPDM.
- Valves are manufactured in accordance with BS 5150.
- Flanges are according to BS 4504 PN16 (Equivalent to BS EN 1092 PN16).
- 100% Leak-Tight closure.

PRESSURE / TEMPERATURE RATING

- Operating temperature: Max + 130 °C
- Operating pressure: 16 bar
- Shell test pressure: Up to 24 bar

DRAWING



MATERIALS

No.	Component	Material	Standard BS EN
1	Body	Ductile Iron	BSEN1563
2	Disc	Ductile Iron + EPDM Outside	BSEN1563
3	Wedge Skeleton	Ductile Iron	BSEN1563
4	Stem	Stainless Steel	410S21
5	Gasket	EPDM	
6	Bonnet	Ductile Iron	BSEN1563
7	Bolts	Steel	BS970
8	O-Ring	EPDM	
9	Gasket	PTFE	
10	O-Ring	EPDM	
11	O-Ring	EPDM	
12	Yoke	Ductile Iron	BSEN1563
13	Bolts	Steel	BS970
14	Nuts	Steel	BS970
15	Gasket	PTFE	
16	Gasket	PTFE	
17	Yoke Bushing	Brass	BS1400
18	Hand wheel	Ductile Iron	BSEN1563
19	Identification Plate	Aluminium	
20	Hand wheel Nut	Brass	BS1400



RESILIENT SEATED GATE VALVE OS&Y (KVS 400-B)

DIMENSIONS

Size		L (mm)	Dg (mm)	Dk (mm)	D (mm)	f (mm)	b (mm)	n-d	Do (mm)	H (mm)
DN	INCH									
50	2"	178	99	125	165	3	19	4-Ø19	160	410
65	2.1/2"	190	118	145	185	3	19	4-Ø19	200	487
80	3"	203	132	160	200	3	19	8-Ø19	200	538
100	4"	229	156	180	220	3	19	8-Ø19	200	620
125	5"	254	184	210	250	3	19	8-Ø19	250	673
150	6"	267	211	240	285	3	19	8-Ø23	250	726
200	8"	292	265	295	340	3	20	8-Ø23	320	867
250	10"	330	319	355	400	3	22	12-Ø23	370	1042
300	12"	356	370	410	455	4	24.5	12-Ø23	370	1297
350	14"	381	429	470	520	4	24.5	16-Ø23	450	1453
400	16"	406	480	525	580	4	24.5	16-Ø23	450	1692
450	18"	432	548	585	640	4	30	20-Ø28	640	1852
500	20"	457	609	650	715	4	31.5	20-Ø28	640	2023
600	24"	508	720	770	840	5	36	20-Ø37	640	2412

KVS VALVE, INC.

34572 Hoca Hanım v Karaköy / İstanbul/TÜRKİYE

Tel: +90.212.259.6687 ; Fax : +90 (252) 316 88 43 (pbx)

Website: <http://www.kvsvalve.com>

