

BRONZE GATE VALVE PN20 (KVS 403)



DESCRIPTION

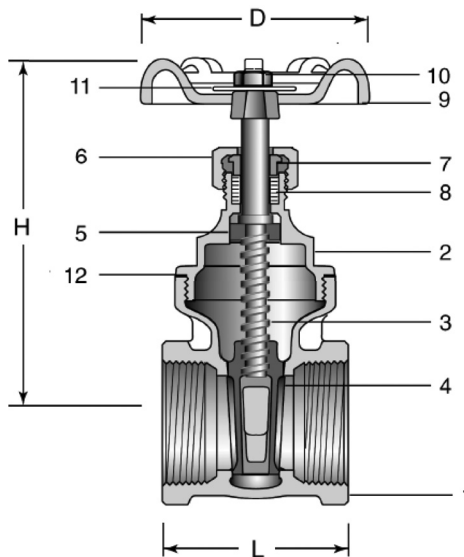
KVS 403 gate valve is designed with straight through bore type with non-rising stem, screw on bonnet, valve allows for two-way flow direction and is used for closing or opening the medium flow. This valve can be installed in horizontal and vertical position in the pipelines system. It is applicable for building services, plumbing, air-conditioning system, hot water system and general industries.

SPECIFICATION

- Valves are manufactured in accordance with BSEN12288 PN20
- End connection: Screwed end BSPT
- Working pressure: 20 bar Non-Shock
- Working temperature: Up to 180°C

MATERIALS

No.	Component	Material	Standard BS EN
1	Body	Bronze	1982 CC491K
2	Bonnet	Bronze	1982 CC491K
3	Stem	Brass	12164 CW614
4	Disc	Bronze	1982 CC491K
5	Lock Nut	Brass	12164 CW614N
6	Gland Nut	Brass	12164 CW614N
7	Gland	Brass	12164 CW614N
8	Packing	PTFE	
9	Hand wheel	Cast Iron	
10	Nut	Steel	
11	Tag	Aluminium	
12	Gasket	PTFE	



DIMENSIONS

Size		L (mm)	H (mm)	D (mm)	Weight (kg)
DN	INCH				
15	1/2"	44	72	52	0.26
20	3/4"	49	84	52	0.37
25	1"	56	90	60	0.49
32	1 1/4"	61	110	64	0.80
40	1 1/2"	66	125	70	1.05
50	2"	73	135	80	1.49