



## DESCRIPTION

KVS 300 butterfly valve is wafer type designed for installation between flanges without requiring any gaskets and drilled in accordance to major flange standards example BS, DIN, ANSI and JIS. They can be installed in horizontal and vertical positions on the piping systems. It is widely used in HVAC, fire protection system, water treatment plant, petrochemical and power plant. Epoxy resin coating of whole body.

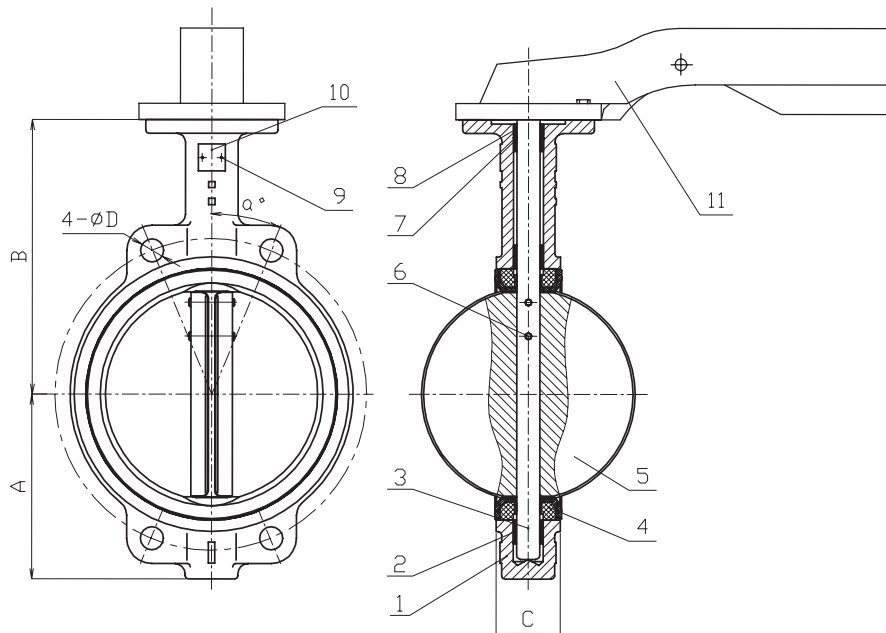
## APPLICATIONS

Suitable for water, oil, air, gases and others non-aggressive media

## SPECIFICATION

- Valves are manufactured in accordance with BS 5155
- End connection: Flanges are according to BS 4504 PN16
- Operating Pressure: 16 bar
- Shell test pressure: Up to 24 bar
- Temperature rating: -20°C to +130°C for EPDM, -10°C to +80°C for NBR
- Top flange dimensions: ISO 5211
- Actuation: Lever operated ( Gear operated on request )
- Optional: Pneumatic or Electric actuated

## DRAWING



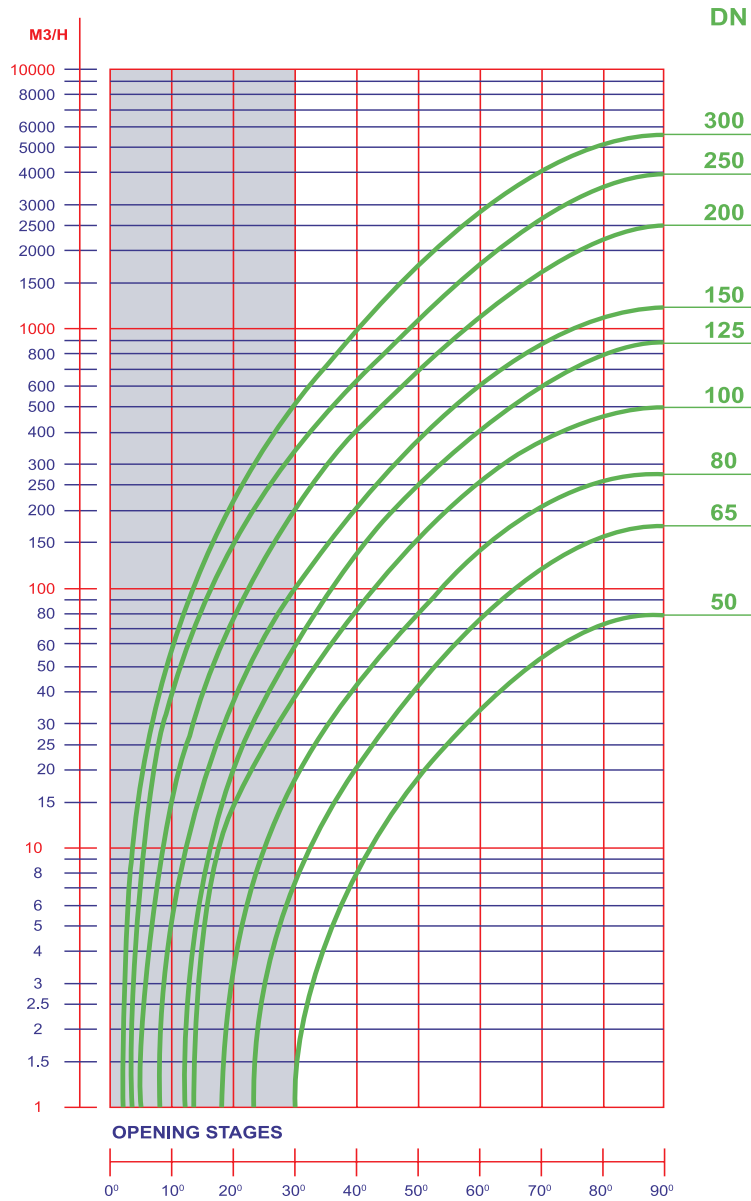
## MATERIALS

No.	Component	Material	Standard BS EN
1	Body	Cast Iron	BSEN1561
2	Long Bushing	PTFE	
3	Shaft	Stainless Steel	410S21
4	Seat	EPDM, NBR	
5	Disc	Ductile Iron + Nickel, CF8	BS2789, 316C16
6	Taper Pin	Stainless Steel	316C16
7	"O" Ring	EPDM, NBR	
8	Short Bushing	PTFE	
9	Plate Rivet	Aluminium	
10	Plate	H62	
11	Handle	Malleable	1562 GJMB-300-6

## DIMENSIONS

Size		A (mm)	B (mm)	C (mm)	4-ØD	α°
DN	INCH					
50	2"	80	161	42.04	4-Ø18	45°
65	2. 1/2"	89	175	44.68	4-Ø18	45°
80	3"	95	181	45.21	4-Ø18	22.5°
100	4"	114	200	52.07	4-Ø18	22.5°
125	5"	127	213	54.36	4-Ø18	22.5°
150	6"	139	226	55.75	4- Ø22	22.5°
200	8"	175	260	60.58	4-Ø22	15°

Kv Graph



Kv (m<sup>3</sup>/h)

Size		10°	20°	30°	40°	50°	60°	70°	80°	90°
DN	INCH									
50	2"	0.07	1.87	4.3	10.95	21	35	54	99.8	104
65	2.1/2"	0.14	3.22	10.3	24	46.5	74	133	210	226
80	3"	0.92	6.35	20	43.8	72.9	131	233	343	417
100	4"	1	9	28.7	64.2	116	187	302	538	602
125	5"	2.2	22.5	62	147.9	247	429	733	1339	1424
150	6"	3	31	103.9	248	417	668	1116	1905	2212
200	8"	4.1	68.5	208	528	878	1337	2202	4111	4291

**KVS VALVE, INC.**

34572 Hoca Hanım v Karaköy / İstanbul/TÜRKİYE

Tel: +90.212.259.6687 ; Fax : +90 (252) 316 88 43 (pbx)

Website: <http://www.kvsvalve.com>

