



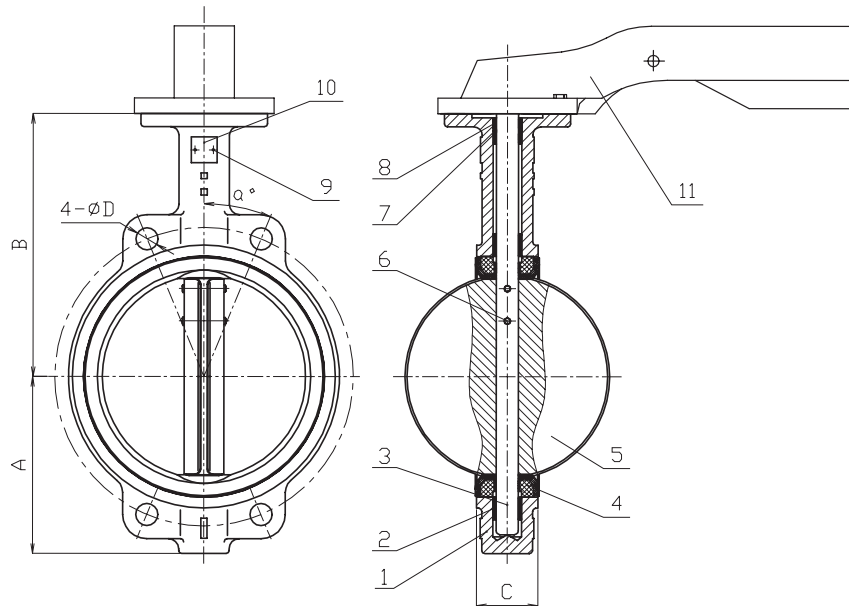
DESCRIPTION

KVS 319 Lined butterfly valve is used widely in highly corrosive and abrasive applications, across all industries: Chemical Process, Mining and Metal Refining, Pulp & Paper.

SPECIFICATION

- Valves are manufactured in accordance with BS 5155
- End connection: Flanges are according to BS 4504 PN16
- Pressure rating: 10 bar
- Top flange dimensions: ISO 5211
- Actuation: Lever operated (Gear operated on request)
- Optional: Pneumatic or Electric actuated

DRAWING



MATERIALS

No.	Component	Material	Standard BS EN
1	Body	Cast Iron	BSEN1561
2	Long Bushing	PTFE	
3	Shaft	Stainless Steel	316C16
4	Seat	PTFE	
5	Disc	PTFE	
6	Taper Pin	SS316	316C16
7	"O" Ring	PTFE	
8	Short Bushing	PTFE	
9	Plate Rivet	Aluminium	
10	Plate	H62	
11	Handle	Malleable	1562 GJMB-300-6

DIMENSIONS

Size		A (mm)	B (mm)	C (mm)	P.C.D	4-ØD
DN	INCH					
50	2"	80	161	42.04	125	4-Ø18
65	2. 1/2"	89	175	44.68	145	4-Ø18
80	3"	95	181	45.21	160	4-Ø18
100	4"	114	200	52.07	180	4-Ø18
125	5"	127	213	54.36	210	4-Ø18
150	6"	139	226	55.75	240	4-Ø22
200	8"	175	260	60.58	295	4-Ø22

KVS VALVE, INC.

34572 Hoca Hanım v Karaköy / İstanbul/TÜRKİYE

Tel: +90.212.259.6687 ; Fax : +90 (252) 316 88 43 (pbx)

Website: <http://www.kvsvalve.com>