



# CÔNG TY CP BẢO TRÌ KỸ THUẬT CÔNG NGHIỆP

Trụ sở: Lầu 1, số 788/51C Nguyễn Kiệm, P.3, Q.Gò Vấp, TP.HCM

Tel: 0866749689, 0913771002, Fax: 08.73000176.

Web site : <http://www.vanduongong.com>, MST: 0305901954

Email: [baotri.kythuat@gmail.com](mailto:baotri.kythuat@gmail.com), [info@vanduongong.com](mailto:info@vanduongong.com)

## OVERSIZED RESILIENT SEATED GATE VALVE (KVS 405)



### PRODUCT FEATURES

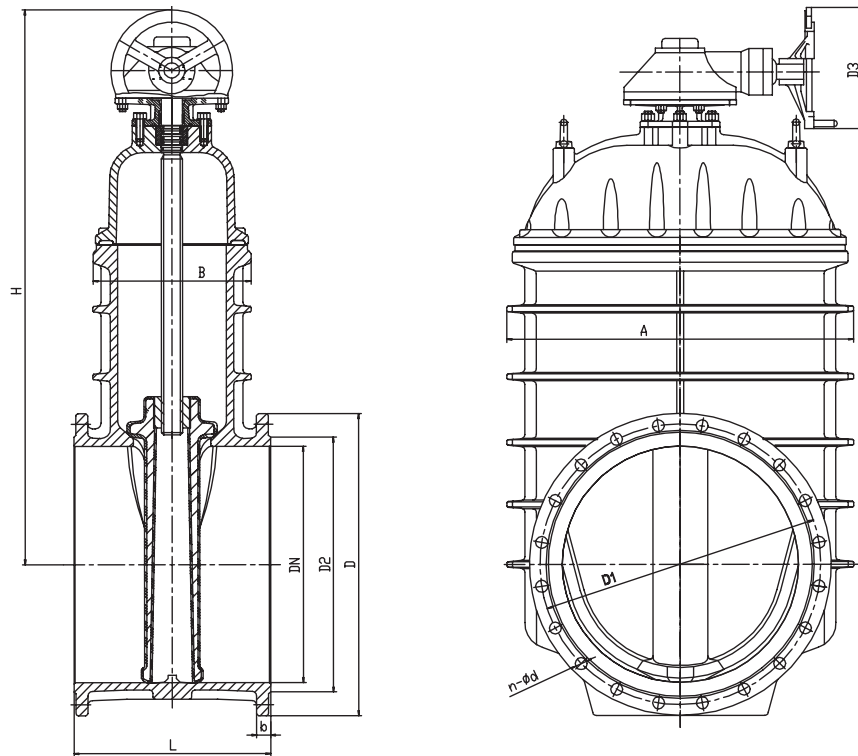
KVS 405 oversized resilient seated gate valve is made of ductile iron with high strength, light weight and precise dimensions. The disc is replaceable and the valve is gear operated for easily open or close by one man or be with electric actuator. It can be installed vertically or horizontally and widely used in feeding and draining system, sewage treatment system, construction, mining, etc.

- Ductile iron body & bonnet.
- Wedge of ductile iron fully rubberized with vulcanized EPDM.
- Inside and outside epoxy powder coated min 300  $\mu$ .
- Valves are manufactured in accordance with BS 5163.
- Flanges are according to BS 4504 PN16.

### TEMPERATURE / PRESSURE RATING

- Operating temperature: - 10...+80°C
- Operating pressure: 10 bar
- Shell test pressure: 15 bar

## DRAWING



## MATERIALS

| No. | Component  | Material                    | Standard BS EN |
|-----|------------|-----------------------------|----------------|
| 1   | Body       | Ductile Iron                | BSEN1563       |
| 2   | Disc       | Ductile Iron + EPDM Outside | BSEN1563       |
| 3   | Stem       | Stainless Steel             | 316C16         |
| 4   | Gasket     | Buna-N or EPDM              |                |
| 5   | Bonnet     | Ductile Iron                | BSEN1563       |
| 6   | O-Ring     | EPDM                        |                |
| 7   | Bolts      | Carbon Steel                |                |
| 8   | Hand wheel | Ductile Iron                | BSEN1563       |

## DIMENSIONS

| Size |      | L (mm) | H-Full Closed (mm) | H-Full Open (mm) |
|------|------|--------|--------------------|------------------|
| DN   | INCH |        |                    |                  |
| 500  | 20"  | 407    | 1480               | 1650             |
| 600  | 24"  | 508    | 1665               | 1900             |
| 700  | 28"  | 660    | 2200               | 2350             |
| 800  | 32"  | 720    | 2800               | 2950             |
| 900  | 36"  | 780    | 2800               | 2950             |
| 1000 | 40"  | 840    | 3000               | 3150             |
| 1200 | 48"  | 960    | 3000               | 3150             |

## KVS VALVE, INC.

34572 Hoca Hanım v Karaköy / İstanbul/TÜRKİYE

Tel: +90.212.259.6687 ; Fax : +90 (252) 316 88 43 (pbx)

Website: <http://www.kvsvalve.com>

