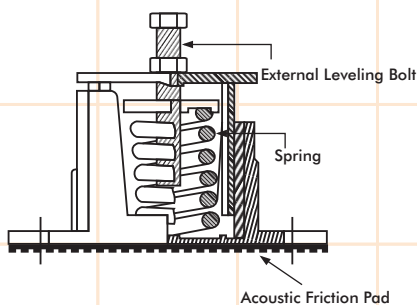
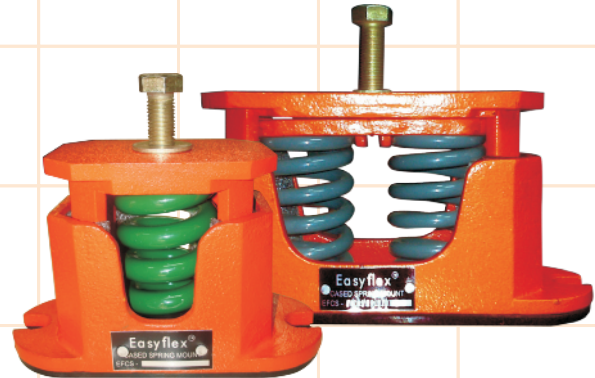
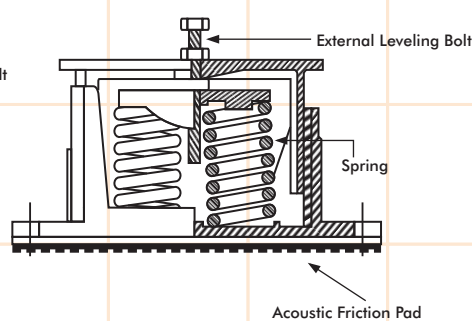


Design Features :

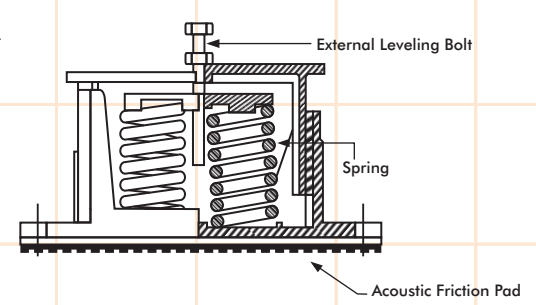
- ⇒ Color coded springs to facilitate identification.
- ⇒ Powder coated springs.
- ⇒ Load upto 5000 kgs.*
- ⇒ Deflection upto 25mm*
- ⇒ 4 Models
- ⇒ 26 Load Ranges
- ⇒ Deflection is at rated load with 15% Tolerances.
- ⇒ All mounts have approximately 50% overload capacity.
- ⇒ Unique mount design provides horizontal stability, high loading capacity and protective spring enclosure
- ⇒ All mounts have external leveling arrangement, capable of compensating for full static deflection.
- ⇒ Inner walls of lower casing have resilient rubber snubbers which;
 - Eliminates possibility of binding by providing a smooth guide path for the top casing.
 - Limits lateral movement, particularly due to start-up, shut-down and horizontal wind load.
 - Prevents isolator short-circuiting by avoiding metal to metal contact.
- ⇒ Neoprene inserts below springs and 6 mm thick ribbed base pad act as noise breaks for high frequencies in the audible range, which can otherwise get transmitted to building structure.
- ⇒ Mountings must be adjusted so that upper housing clears lower housing by at least 6 mm and not more than 12 mm



EFCS 60 - EFCS 1250



EFCS II 600 - EFCS II 2500

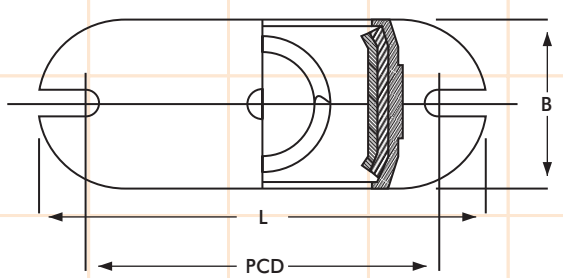
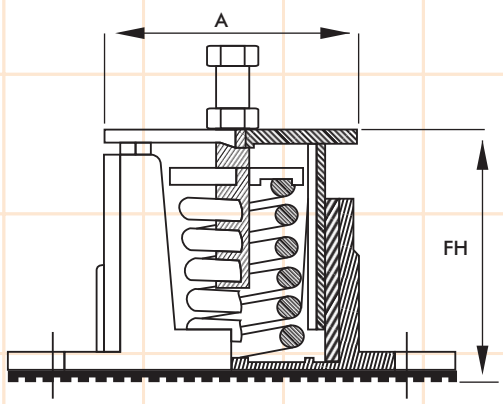


EFCS IV 1200 - EFCS IV 5000

Typical Applications :

Application examples include : Chillers, AHU's Pumps, Centrifugal / Axial Fans, Condensing Units, Rooftop Packaged Units, Reciprocating Compressors, DG Sets, Punch Presses, Drop Hammers, Floor Pipe Supports (normally at first few pipe support points leading from isolated equipment).

Note : *Custom load and deflection are also available.



Product Code	Color Code	Rated Load (kg.)	Deflection (mm)
EFCS 060	Blue	60	25
EFCS 100	Green	100	25
EFCS 160	Orange	160	25
EFCS 200	Red	200	25
EFCS 250	Purple	250	25
EFCS 300	Grey	300	25
EFCS 400	Orange	400	25
EFCS 500	Brown	500	25
EFCS 600	Black	600	25
EFCS 800	Red	800	25
EFCS 1050	White	1050	25
EFCS 1250	Green	1250	25
EFCS II 600	Grey	600	25
EFCS II 800	Orange	800	25
EFCS II 1000	Brown	1000	25
EFCS II 1200	Black	1200	25
EFCS II 1600	Red	1600	25
EFCS II 2100	White	2100	25
EFCS II 2500	Green	2500	25
EFCS IV 1200	Grey	1200	25
EFCS IV 1600	Orange	1600	25
EFCS IV 2000	Brown	2000	25
EFCS IV 2400	Black	2400	25
EFCS IV 3200	Red	3200	25
EFCS IV 4200	White	4200	25
EFCS IV 5000	Green	5000	25

