



valvoindustria ing. Rizzio s.p.a.

Via Circonvallazione, 10
13018 Valduggia (VC), Italy
Tel: +39 0163 47891
Fax: +39 0163 47895
www.vironline.com

390

Ductile Iron Ball Valve

Description

Ductile iron GGG40 ball valve
Flanged ends according EN1092-2 PN16 (ex DIN2533)
Testing according EN12266-1
Lengths according EN558-1 series 14 (ex DIN3202 F4)
(EN558-1 series 15, ex DIN3202 F5, for DN200)
Version with locking device or actuator also available
Gost compliant

PN16

Working conditions:

- Water: 0°C to +90°C
- Air: -10°C to +100°C

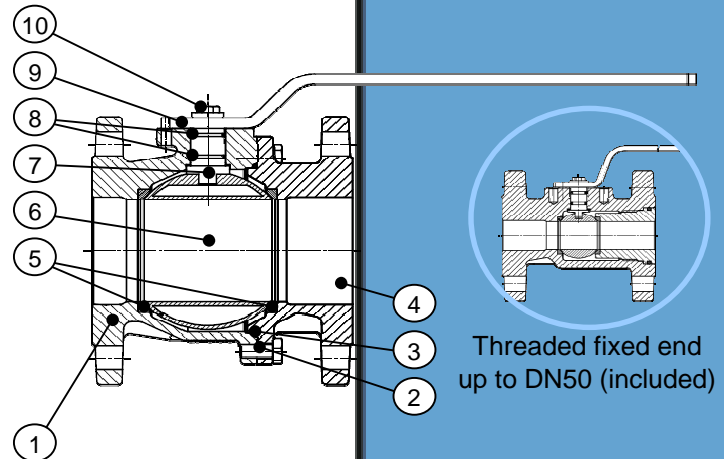
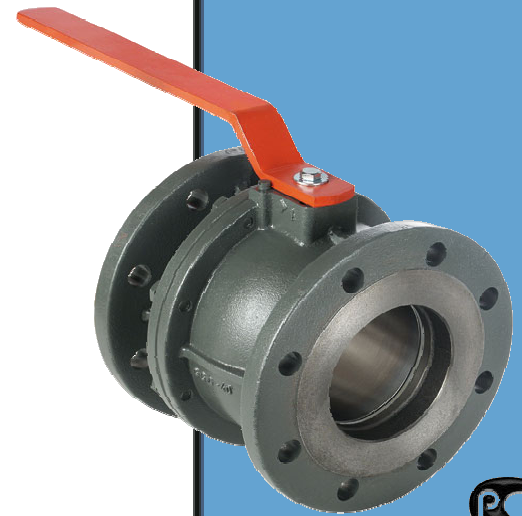
Part List

N.	Part	Material	Norm
1	Body	Ductile iron	GGG40
2	Bolt ¹	Zinc plated steel	-
3	Body O-ring	NBR	-
4	Fixed end	Ductile iron	GGG40
5	Seat	PTFE	-
6	Ball	Chromium pl. brass	MS58
7	Stem	Brass	MS58
8	Stem O-ring	NBR	-
9	Handle	Iron	St37-3
10	Bolt	Zinc plated steel	-

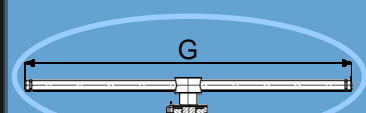
¹For DN≥65 only (threaded configuration used for smaller diameters)

Dimensions

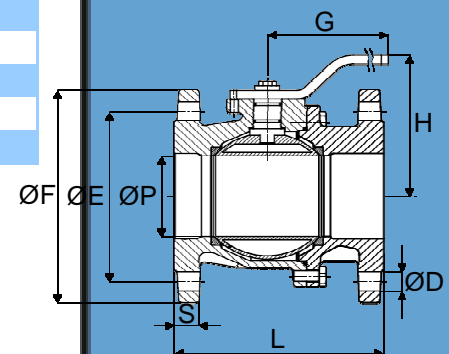
DN	ØF (mm)	ØE (mm)	S (mm)	NxØD (mm)	L (mm)	H (mm)	G (mm)	D (mm)	K _v (m ³ /h)	Weight (kg)
025	115	85	18	4x14	125	76	150	25	15	3,5
032	140	100	18	4x18	130	92	235	31	35	5,3
040	150	110	18	4x18	140	97	235	39	65	6,6
050	165	125	20	4x18	150	105	271	49	95	8,8
065	185	145	18	4x18	170	124	288	63	130	11,4
080	200	160	20	8x18	180	133	288	76	315	14,0
100	220	180	20	8x18	190	153	288	100	685	17,0
125	250	210	22	8x18	200	183	541	125	895	30,0
150	285	240	22	8x22	210	203	541	150	1423	37,0
200	340	295	24	12x22	400	316	1000	200	2480	84,0



Threaded fixed end up to DN50 (included)



For DN200 only



090910

Fitting VIR actuators

DN	MxØB (mm)	ØC (mm)	ISO-ØQxP ¹ (mm)	Torque (Nm)	Cutter electric actuators		Overcraft pneumatic actuators ²	
					230VAC	24V AC/DC	Double effect	Spring return
025	4xM5	36	F03-14,0x10	20	KACUTTR04.800	KACUTTR05.800	KAHOVER15.801	KAHOVER31.801
032	4xM5	42	F04-17,6x12	30	KACUTTR02.800	KACUTTR06.800	KAHOVER16.801	KAHOVER32.801
040	4xM6	50	F05-17,6x12	40	KACUTTR02.800	KACUTTR06.800	KAHOVER17.801	KAHOVER33.801
050	4xM6	50	F05-17,6x12	60	KACUTTR12.800	KACUTTR07.800	KAHOVER18.801	KAHOVER33.801
065	4xM8	70	F07-23,6x17	75	KACUTTR08.800	KACUTTR10.800	KAHOVER19.801	KAHOVER35.801
080	4xM8	70	F07-23,6x17	85	KACUTTR08.800	KACUTTR10.800	KAHOVER20.801	KAHOVER35.801
100	4xM8	70	F07-23,6x17	100	KACUTTR09.800	KACUTTR11.800	KAHOVER21.801	KAHOVER36.801
125	4xM10	102	F10-31,6x19	210	KACUTTR13.800	on request	KAHOVER23.801	KAHOVER38.801
150	4xM10	102	F10-31,6x19	350	KACUTTR14.800	on request	KAHOVER24.801	KAHOVER40.801
200	4xM12	125	F12 - □30	700	KACUTTR14.800	on request	KAHOVER25.801	KAHOVER40.801

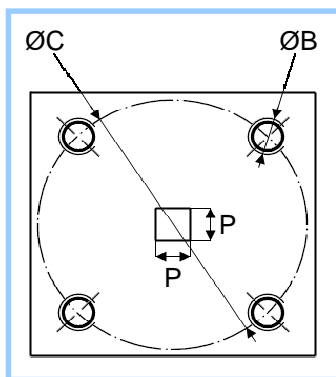
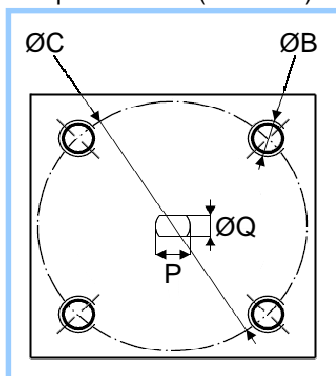
¹Valve side connection; blind holes drilling diameter according ISO5211 (passing holes for DN200 only)

²Pneumatic actuators sized on 6Bar air supply

Technical description and dimensions of actuators as reported in their specific technical sheets

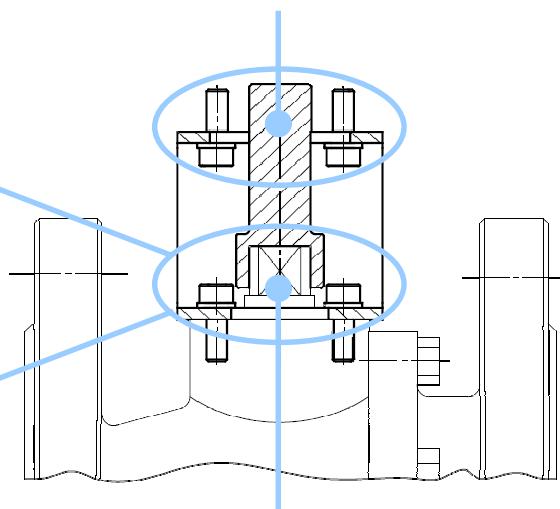
Mounting of proposed actuator requires specific special adaptors as per figure indications.

Up to DN150 (included)



DN200

Actuator side connection:
details on connection dimensions
as reported in their specific
technical sheets



Valve side connection:
blind holes drilling diameter
according ISO5211 (passing
holes for DN200 only)



Via Circonvallazione, 10
13018 Valduggia (VC), Italy
Tel: +39 0163 47891
Fax: +39 0163 47895
www.vironline.com