



valvoindustria ing. Rizzio s.p.a.

Via Circonvallazione, 10
13018 Valduggia (VC), Italy
Tel: +39 0163 47891
Fax: +39 0163 47895
www.vironline.com

340G

Full Bore Brass Ball Valve for Gas

Description

Full bore brass ball valve
Threaded F/F (ISO 228/1)
Design according EN331
Air testing according EN12266-1
Blow-out proof stem
With handle or butterfly
Also available with lockable lever
CE, UNI EN331 and Gost compliant

PN25

Working conditions:

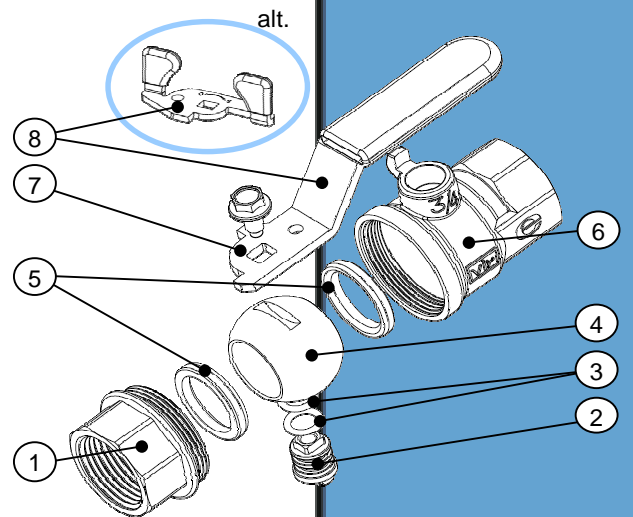
- Gas: -20°C to +60°C, pressure class MOP5;
(for 1°, 2° and 3° gases according UNI EN437)



Part List

N.	Part	Material	Norm
1	Fixed end	Nickel pl. brass	EN12165 CW617N
2	Stem	Brass	EN12164 CW617N
3	O-ring	Viton	-
4	Ball	Chromium pl. Brass	EN12165 CW617N
5	Seat	PTFE	-
6	Body	Nickel pl. Brass	EN12165 CW617N
7	Screw	Zinc plated steel	EN10025 Fe42
8	Handle	Zinc plated steel ¹	EN10025 Fe42
8 _{alt.}	Butterfly	Zinc plated steel ¹	EN10025 Fe42

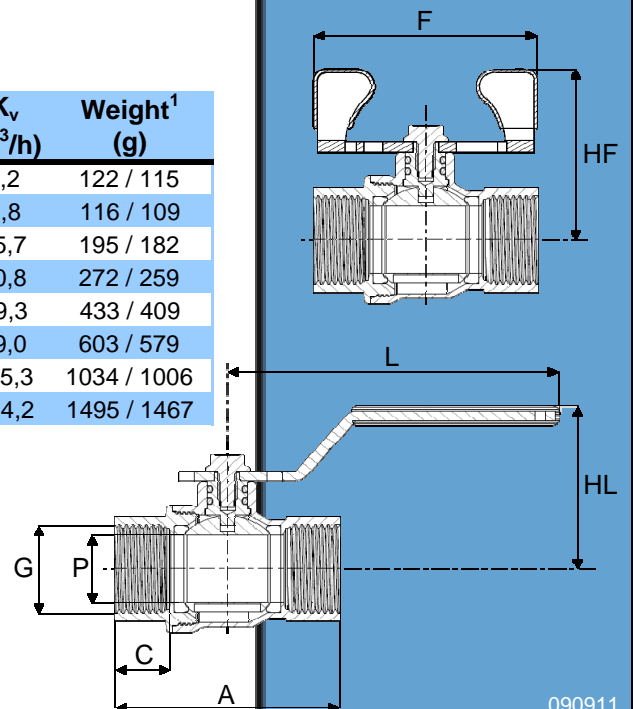
¹With yellow PVC cover



Dimensions

DN	G	A (mm)	C (mm)	P (mm)	HL (mm)	L (mm)	HF (mm)	F (mm)	K _v (m ³ /h)	Weight ¹ (g)
008	¼"	44	11,5	10	35	81	40	52	3,2	122 / 115
010	⅜"	44	11,5	10	35	81	40	52	5,8	116 / 109
015	½"	54	14,0	15	46	91,5	46	62	15,7	195 / 182
020	¾"	62	15,0	20	49	91,5	49	62	30,8	272 / 259
025	1"	73	18,0	25	53	126,5	57	83	49,3	433 / 409
032	1¼"	83	18,5	32	58	126,5	62	83	79,0	603 / 579
040	1½"	97	19,5	40	73	141,5	83	110	125,3	1034 / 1006
050	2"	110	20,5	50	80	141,5	90	110	224,2	1495 / 1467

¹Weight for lever handle version / weight for butterfly handle version



090911