



valvoindustria ing. Rizzio s.p.a.

Via Circonvallazione, 10
13018 Valduggia (VC), Italy
Tel: +39 0163 47891
Fax: +39 0163 47895
www.vironline.com

340

Full Bore Brass Ball Valve

Description

Full bore brass ball valve
Threaded F/F (ISO 228/1)
Design according MSS-SP110
Air testing according EN12266-1
Blow-out proof stem
Adjustable packing
With handle or butterfly (up to DN≤50)
CE, ACS and Gost compliant

PN40 (PN25 for DN≥65 or above 95°C)

Working conditions:

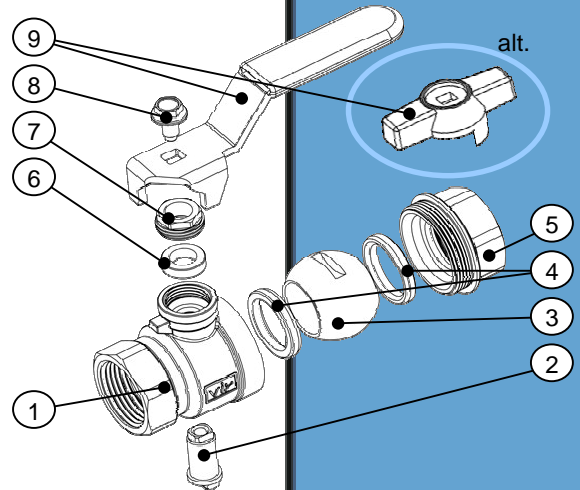
- Water: 0°C to +150°C
- Air: -10°C to +150°C



Part List

N.	Part	Material	Norm
1	Body	Chromium pl. brass	EN12165 CW617N
2	Stem	Brass	EN12164 CW617N
3	Ball	Chromium pl. brass	EN12165 CW617N
4	Seat	PTFE	-
5	Fixed end	Chromium pl. brass	EN12165 CW617N
6	Packing ring	PTFE	-
7	Packing nut	Brass	EN12164 CW617N
8	Screw	Geomet steel	EN10025 Fe42
9	Handle	Geomet steel ¹	EN10025 Fe42
9 _{alt.}	Butterfly	Aluminum	UNI7363-5076

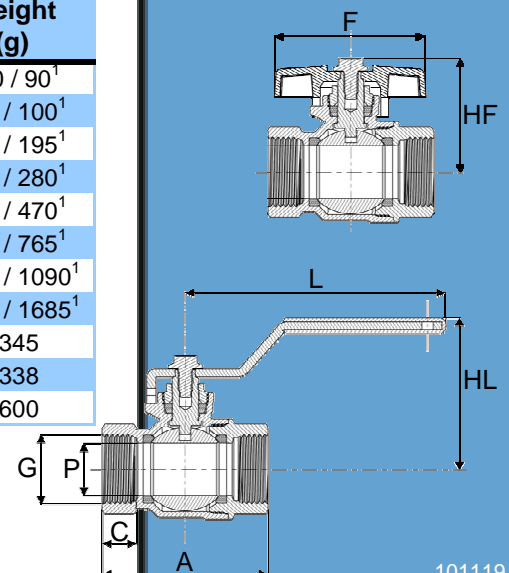
¹With black PVC cover



Dimensions

DN	G	A (mm)	C (mm)	P (mm)	HL (mm)	L (mm)	HF (mm)	F (mm)	K _v (m ³ /h)	Weight (g)
008	1/4"	39	9	10	41	80	32	44	3,2	110 / 90 ¹
010	3/8"	39	9	10	41	80	32	44	5,8	120 / 100 ¹
015	1/2"	49	12	15	53	90	39	55	15,7	220 / 195 ¹
020	3/4"	58	12	20	57	90	43	55	30,8	305 / 280 ¹
025	1"	67	15	25	65	125	50	83	49,3	520 / 470 ¹
032	1 1/4"	81	16	32	71	125	56	83	79,0	815 / 765 ¹
040	1 1/2"	94	17	40	79	140	65	108	125,3	1210 / 1090 ¹
050	2"	110	19	50	87	140	73	108	224,2	1805 / 1685 ¹
065	2 1/2"	141	25	65	117	200	-	-	330,2	3345
080	3"	163	27	80	132	280	-	-	419,4	5338
100	4"	188	31	100	144	280	-	-	838,8	8600

¹Weight for lever handle version / weight for butterfly handle version



101119