



valvoindustria ing. Rizzio s.p.a.

Via Circonvallazione, 10  
13018 Valduggia (VC), Italy  
Tel: +39 0163 47891  
Fax: +39 0163 47895  
www.vironline.com

# 330N

Full Bore Brass Ball Valve

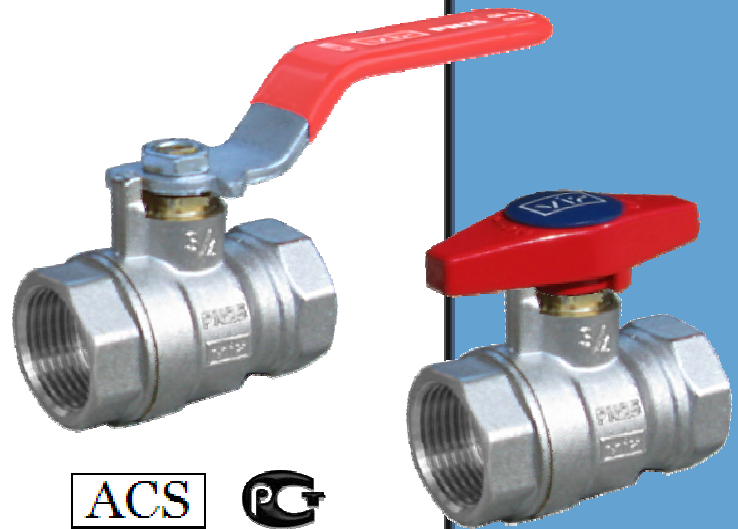
## Description

Full bore brass ball valve  
Threaded F/F (ISO 228/1)  
Air testing according EN12266-1  
Blow-out proof stem  
O-ring + adjustable packing  
With handle or butterfly  
Gost compliant  
ACS compliant version also available

PN25 (PN16 above 95°C)

Working conditions:

- Water: 0°C to +95°C;
- Air: -10°C to +110°C



ACS



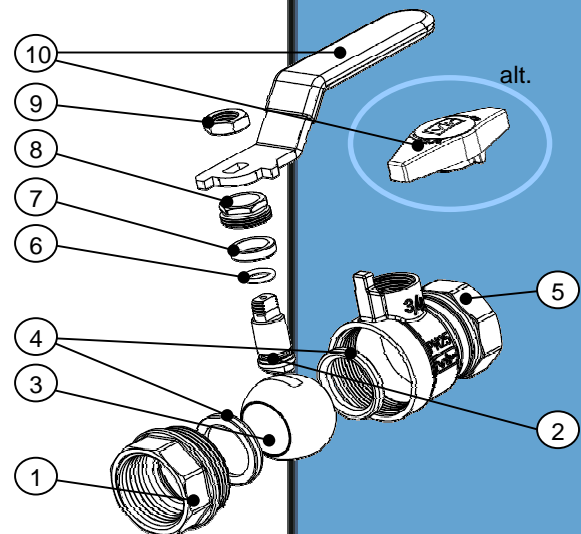
## Part List

N.	Part	Material	Norm
1	Fixed end	Nickel pl. brass <sup>1</sup>	-
2	Stem	Brass	-
3	Ball	Chromium pl. brass	-
4	Seat	PTFE	-
5	Body	Nickel pl. brass <sup>1</sup>	-
6	O-ring	NBR 70SH	-
7	Packing	PTFE	-
8	Packing nut	Brass	-
9	Screw	Zinc plated steel	-
10	Handle	Dacromet steel <sup>2</sup>	-
10 <sub>alt</sub>	Butterfly	Aluminum <sup>3</sup>	-

<sup>1</sup>Threads and internal parts not plated for ACS version

<sup>2</sup>With red PVC cover

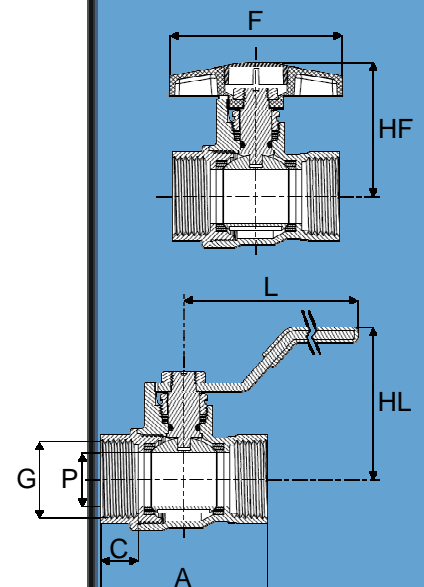
<sup>3</sup>With blue nylon nut cover



## Dimensions

DN	G	A (mm)	C (mm)	P (mm)	HL (mm)	L (mm)	HF (mm)	F (mm)	Weight <sup>1</sup> (g)
008	¼"	41,0	9,5	10,0	39	81	38,0	46	120 / 100
010	⅜"	41,0	9,5	10,0	39	81	38,0	46	124 / 104
015	½"	47,4	11,5	14,7	51	91	44,4	55	178 / 143
020	¾"	53,2	12,0	18,5	52	91	45,8	55	240 / 205
025	1"	65,0	14,5	24,0	60	126	55,4	80	420 / 360
032	1¼"	77,0	16,0	31,0	66	126	61,4	80	590 / 530
040	1½"	87,0	18,0	37,0	73	141	70,6	110	850 / 780
050	2"	100,0	18,0	49,5	83	141	79,9	110	1330 / 1260

<sup>1</sup>Weight for lever handle version / weight for butterfly handle version



100609