

Ref. : VPN 3442-BX4.pas

Rev. : Initial

Date : 25/09/2013

Page : 1/1

BUTTERFLY VALVE WITH ELECTRIC ACTUATOR

VPN 3442-BX4



Tecofi
VALVE DESIGNER - FRANCE

APPLICATION

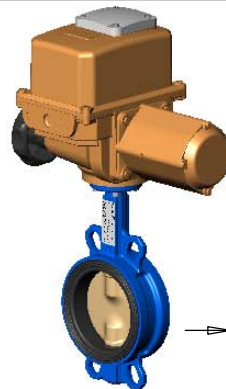
General use : water, sea water...

CARACTERISTIQUES GENERALES

Design according with BS EN 593.
Type with lugs, tightness in both ways.
Sleeve in dovetail shape ensures a perfect assembling (for high vacuum we can stick it).
High and low semi stem giving a high flow coefficient, machined disc on periphery giving a low and regular torque.
Unejectable stem, dovetail type sleeve, mounting flange according to ISO 5211.

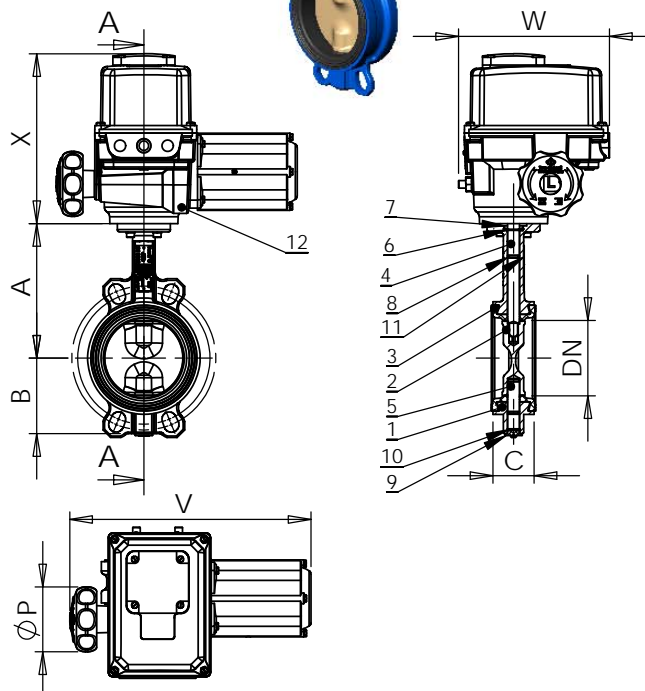
PRODUCT REFERENCE

	VPN 3442-BX4	Electric actuator type
	VPN 3442-B04	BERNARD 400V 3 PH
	VPN 3442-B14	BERNARD 230V 3 PH
	VPN 3442-B24	BERNARD 230V 1 PH



CONSTRUCTION

Pos.	Q-ty	Description	Material
12	1	Electric actuator	BERNARD
11	1	Nameplate	Stainless steel 304
10	2	Circlip	Steel
9	1	Bottom cover	NBR
8	2	O ring	EPDM
7	1	Antidust ring	NBR
6	1	Anti blowout ring	Stainless steel 420 DIN : 1.4021 ASTM : AISI 420 BS : 420 S 37
5	1	Upper stem	Stainless steel 420 DIN : 1.4021 ASTM : AISI 420 BS : 420 S 37
4	1	Lower stem	Stainless steel 420 DIN : 1.4021 ASTM : AISI 420 BS : 420 S 37
3	1	Sleeve	EPDM CH In standard
2	1	Disc	Cu Al10 Ni5 Fe4
1	1	Body	EN-GJL-250 DIN : GG25 ASTM : A48 class 40B BS : 1452 Grade 250



DIMENSIONS

DN		A	B	C	Weight (valve + actuator) (kg)	
mm	inch				VPN 3442-B04 VPN 3442-B14	VPN 3442-B24
40	1 1/2"	134,0	58	34,0	8,44	7,44
50	2"	139,7	65	41,8	9,04	8,04
65	2 1/2"	152,4	73	45,3	9,44	8,44
80	3"	158,8	85	45,3	10,00	9,00
100	4"	178,0	100	51,5	10,82	9,82
125	5"	190,5	115	54,5	13,02	13,02
150	6"	203,0	120	54,5	13,92	13,92
200	8"	238,0	160	59,6	19,08	19,08
250	10"	268,3	195	68,0	33,98	33,98
300	12"	306,4	230	78,0	48,80	48,80

ACTUATOR DIMENSIONS

DN	Product reference	Actuator reference	ØP	V	W	X
DN40-100	VPN3442-B24	EZ4 230V 1PH 50Hz	90	273	200	225
	VPN3442-B14	OA6 230V 3PH 50Hz	90	319	200	225
	VPN3442-B04	EZ6 400V 3PH 50Hz	90	319	200	225
DN125-150	VPN3442-B24	EZ10 230V 1PH 50Hz	90	319	200	225
	VPN3442-B14	OA8 230V 3PH 50Hz	90	319	200	225
DN200	VPN3442-B04	EZ10 400V 3PH 50Hz	90	362	200	225
	VPN3442-B24	EZ15 230V 1PH 50Hz	90	362	200	225
	VPN3442-B14	OA15 230V 3PH 50Hz	90	362	200	225
DN250	VPN3442-B24	EZ25 230V 1PH 50Hz	160	459	313	180
	VPN3442-B14	ASP 230V 3PH 50Hz	160	459	313	180
	VPN3442-B04	EZ25 400V 3PH 50Hz	160	459	313	180
DN300	VPN3442-B24	EZ60 230V 1PH 50Hz	250	528	313	180
	VPN3442-B14	AS50 230V 3PH 50Hz	250	528	313	180
	VPN3442-B04	EZ60 400V 3PH 50Hz	250	528	313	180

Maximum differential pressure: 16 bar

WORKING CONDITIONS

Maximum working pressure : 16 bar.
Maximum working temperature : -15°C / +130°C.
Peak temperature: -30°C / +150°C

Sleeve types in option	Maximum temperature	Peak temperature
EPDM	+ 4°C / + 110°C	- 20°C / +130°C
EPDM Blanc	+ 4°C / + 110°C	- 20°C / +130°C
CSM (Type Hypalon®)	+ 4°C / +80°C	- 20°C / +110°C
FPM (Type Viton®)	- 10°C / +170°C	- 20°C / +200°C
Silicone	- 20°C / +170°C	- 40°C / +200°C
Nitril (NBR)	- 10°C / +80°C	- 20°C / +90°C

STANDARDS

Manufacture according to the requirements of the European directive 97/23/CE «Equipment under pressure»: fluids category III modulate H.
Face to face according to standards NF EN 558-1 serie 20, ISO 5272 série 20, DIN 3202.
Mounting between flanges PN 10 / PN 16: according to EN 1092-2, BS 450, ANSI B16.1-5.
Adjustable between flanges ASME B16.5 Class 150 and JIS 10K.
Pressure test according to standards EN 12266-1, DIN 3230, BS 6755 and ISO 5208 :
Corps: 24 bar
Siège: 17.6 bar

TECOFI France - 83, Rue Marcel Mérieux 69960 Corbas - France
Tél. +33 (0)4 72 79 05 79 - Fax +33 (0)4 78 90 19 19 / +33 (0)4 72 79 05 79
Adresses e-mail: sales@tecofi.fr; tecofi@tecofi.fr / site web: www.tecofi.fr