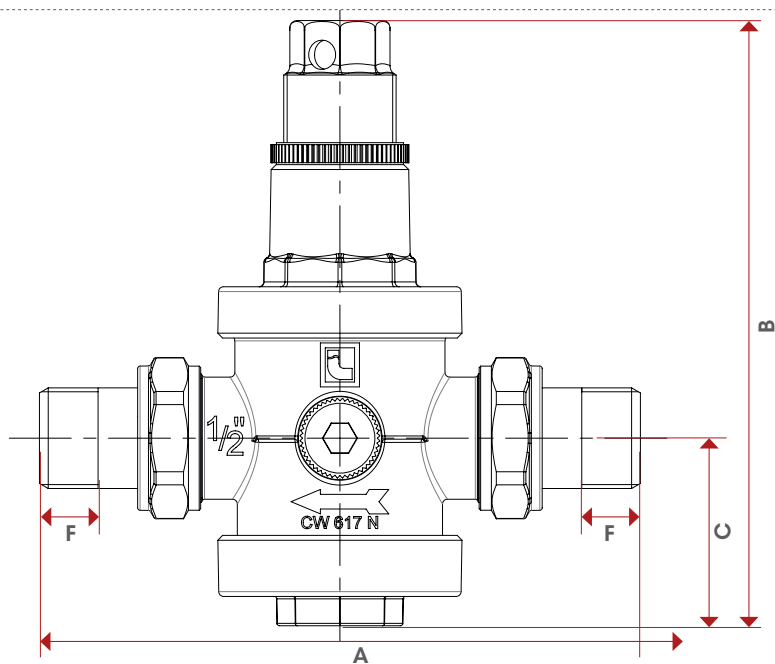


143MM



| | 1/2" | 3/4" | 1" | 1 1/4" | 1 1/2" | 2" |
|------------------------|-------|-------|-----|--------|--------|-----|
| DN | 15 | 20 | 25 | 32 | 40 | 50 |
| A | 123 | 135 | 156 | 177 | 188 | 213 |
| B | 125,5 | 125,5 | 159 | 218 | 225 | 250 |
| C | 40 | 40 | 59 | 69,5 | 126 | 87 |
| F | 12 | 12 | 14 | 16 | 16 | 17 |
| Kg/cm ² bar | 25 | 25 | 25 | 25 | 25 | 25 |
| LBS - psi | 363 | 363 | 363 | 363 | 363 | 363 |