



Compact and Hermetically Sealed
High Precision
 Easy Reading

Multimag

Turbine type residential water meter

- ▶ **Multi-jet Class B**
- ▶ **Superior accuracy and long-term reliability**
- ▶ **Protected against magnetic fraud**



Multimag is a Class B multi-jet turbine type meter with extra dry register for residential applications.

The Technology

Multimag combines the advantages of turbine type technology together with the proven reliability of extra dry register. The magnetic drive technology allows the turbine to be the only part in contact with water passing through the meter.

Metrological performance

- ISO 4064 class B in horizontal positions
- The Multimag second generation maintains its class B metrological performance when installed with angle of up to $\pm 30^\circ$ with reference to the vertical axis.

Reliability-Durability

- The register is hermetically sealed to protect the inner parts from moisture and dust penetration.
- Sapphire is used in the main bearing to ensure the lowest friction possible.
- The body is made of bronze and is externally protected with high-resistance epoxy-polyester paint, electrostatically applied.
- The meter has a special shield to avoid magnetic fraud.

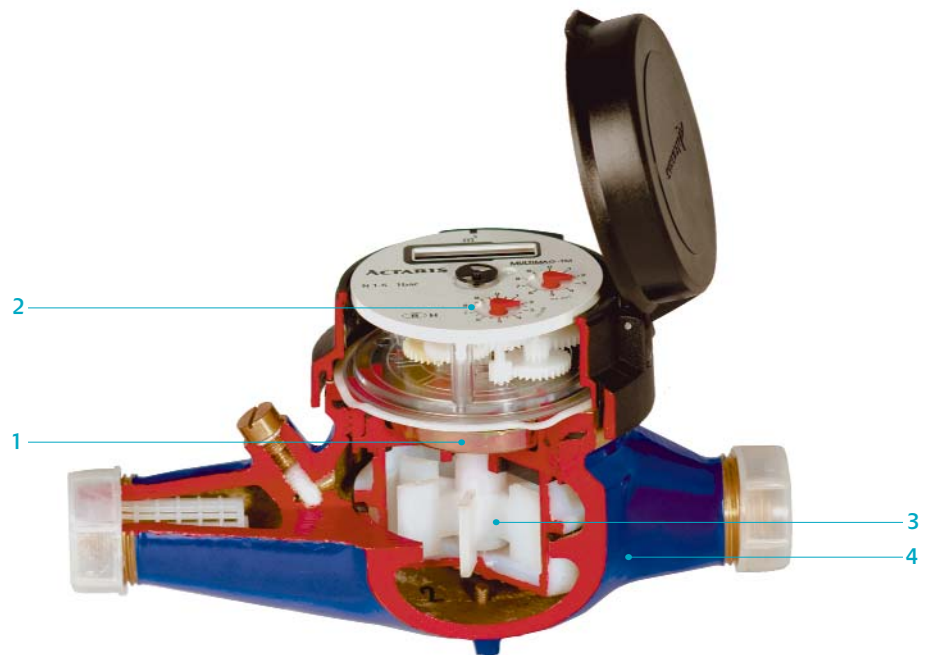
Construction

Magnetic drive allowing the turbine to be the only moving part in the water flow ❶.

Extra-dry register allowing easy reading and resistant against UV-light, moisture, and dust ❷.

Balanced turbine ensuring minimal wear and tear on the bearings ❸.

High-protection body specially designed to provide a smooth flow of water with low head loss ❹.



Maintenance

The construction of the meter makes assembly and maintenance of the Multimag meter real simple.

Ease of Reading

Multimag register combines the following advantages:

- Orientable register.
- Six cyclometric wheels and two pointer dials for accurate reading.
- Central disc, turning at the same speed as the turbine, for automatic calibration and leak detection.

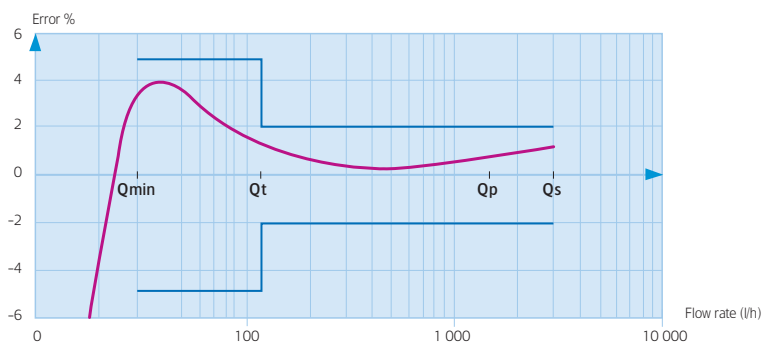


► Register for DN 15 and 20 meters

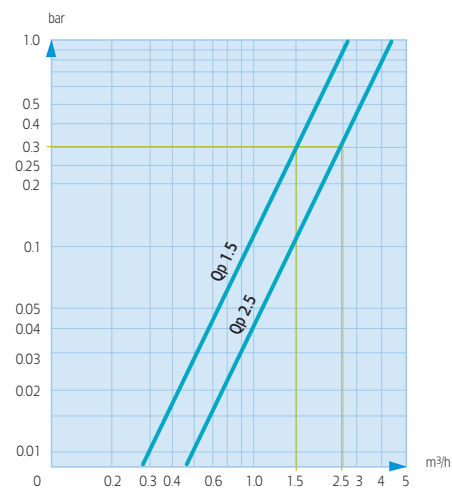
Metrological Characteristics

Nominal diameter (DN)	mm	15	20	
	inches	1/2"	3/4"	
ISO 4064 metrology class		B horizontal position		
Maximum flow rate	Qs	m ³ /h	3	5
Nominal flow rate	Qp	m ³ /h	1.5	2.5
Transitional flow rate	Qt (± 2%)	l/h	120	200
Minimum flow rate	Qmin (± 5%)	l/h	30	50
Starting flow rate		l/h	<10	15
Maximum admissible temperature		°C	50	
Maximum admissible working pressure		bar	10	
Pressure loss at	Qp	bar	<0.3	
	Qs	bar	<1.0	
Indicator range		m ³	9 999	
Minimum scale interval		l	0.05	

Typical Accuracy Curve (Multimag DN15)

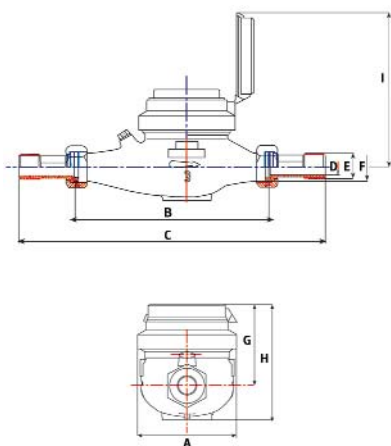


Head Loss (Multimag DN 15 and 20)



- ▶ The meter is manufactured according to the most demanding management standards

► Dimensions



Dimensions

	Nominal diameter (DN)	mm		15		20	
		inches		1/2"		3/4"	
A	Meter width	mm		80			
B	Length without fittings	mm		165		190	
C	Length with fittings	mm		245		290	
D	Internal diameter	mm		13		19	
E	Coupling thread (BSPT)*	inches		1/2"		3/4"	
F	Meter thread (BSP)*	inches		3/4"		1"	
G	Height to pipe centre line	mm		70			
H	Total height with closed lid	mm		100			
I	Total height with opened lid	mm		120			

* NPT/NPS optional threads

Options

Multimag meters may be fitted with:

- Standard register with thermoplastic dome, UV stabilized and ultrasonically welded.
- Glass register.
- Pre-equipped Cyble target register for remote reading capabilities.
- Non-return valve.

PT. Mecoido
 Plot 6B-2
 East Jakarta Industrial Park (EJIP)
 Lemah Abang, Bekasi 17550
 Indonesia
tel +62 21 897 0270
fax +62 21 897 0271

Actaris Pty. Ltd.
 8 Rosberg Road
 Wingfield, Adelaide 5013
 South Australia
 Australia
tel +61 8 8359 0444
fax +61 8 8359 1441

Metertek Sdn. Bhd.
 No. 4, Jalan Sejahtera 25/124, Section 25,
 Axis Premier Industrial Park,
 40400 Shah Alam, Selangor Darul Ehsan,
 Malaysia
tel +60 3 5121 2833
fax +60 3 5121 2849

Actaris China
 RM 702, Lido Office Tower
 Lido Place Jichang Road
 Chaoyang District, Beijing 100004
 People's Republic of China
tel +86 10 6430 1186
fax +86 10 6437 6905

Actaris Singapore Pte. Ltd.
 12, Lorong Bakar Batu,
 #06-11
 Singapore 348745
 Singapore
tel +65 6 848 7955
fax +65 6 746 2145

Actaris India
 4th Fl, The Capital Court
 LSC Phase III, Olof Palme Marg
 Munirka, New Dehli 110067
 India
tel +91 11 2610 6711
fax +91 11 2610 5977